



PDM-02---58mm Impact Dot Matrix Mobile Printer



Feature

- Compact design, battery powered, easy to carry out.
- Voice detection, even if hanging at the waist, Also can know whether the printer power shortage, lack of paper at any time
- Black calibration function, Provide the foundation for pre printed ticket printing
- Auto sleep/ auto start, Don't need to switch machine frequently for power saving.
- Print double non-carbon carbon paper, longer time to save
- RS232C,USB,Bluetooth and IR various interface

Xiamen Cashino Electronic Technology Co.,Ltd.

Application

- Food-animal trace ability/food safety
- Utility billing-meter reading
- The insurance-field reports
- Warehouse stock/transfers/in-out warehouse
- Parking fee-Confirm the parking time to charge
- Logistics-Registartion for fast transport invoice/goods
- Mobile POS- Ticket/fmcg and other mobile sales
- Police- the traffic police/urban management/commerce and industry Bureau implements its enforcement/health supervision
- The issuing ban etc. Needs a long time to save the paper.

Specification

Print	Printing Method	Impact Dot-Matrix
	Paper Width	57.5±0.5mm
	Paper Thickness	0.06-0.085mm
	Effective Printing Width	48mm
	Dot Structure	240 dots/line
	Printing Speed	5.5mm/s 1.2lps
	Copy	1 original+1 copy
	Black Mark Location	Support
	TPH	1.5 Million lines
	Character Set	ASCII(6x12,18x16) GB2312(12x12,16x16)
Print Content	English,figure,symbol,Chinese,curve,graph,icon	
Print Sequence	24columns:144dots/line; 40 columns:240 dots/line	
Interface	Wire	USB/RS232 Serial Port (2 choose1)
	Wireless	Bluetooth/IrDA
Power Supply	Battery	DC7.4V/2000mAh Rechargeable Li-ion battery
	Adapter	DC12V/0.8A~1A
Physical	Print Length for once	15m(25% print density)/ 18m(12.5% print density)
	Dimension	110×112.3×46(W×D×H)mm
	Weight	345g (with battery, without paper roll)
	Paper Roll Diameter	≤40mm
Environment	Operating Temp/Humidity	-10°C-50°C/20%-80%
	Charging Temp/Humidity	5°C-35°C/20%-80%
	Storage Temp/Humidity	-20°C-70°C/5%-95%

Topology diagram

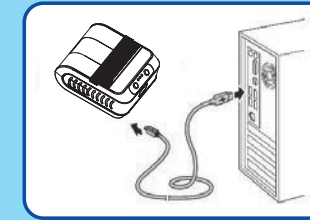
Serial communication (RS232C)

There is a RS232C serial port cable, PDM-02: 5 pin Mini USB to DB9 port



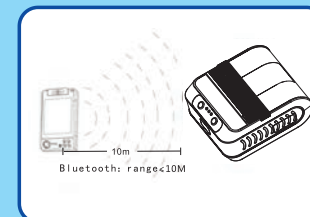
USB communication

There is a USB port, connect it through mini USB transfer to USB2.0 interface.



Bluetooth communication

Printer provide Bluetooth 2.0 / CLASS 2 Bluetooth communication methods (10 meters)

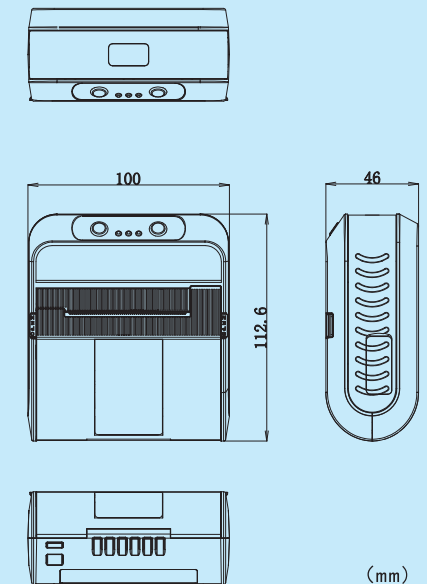


Infrared connection communication

Print can use infrared data communications technology equipment to communicate with your equipment. The printer can't work in Raw Ir, VIR and IrCOMM at the same time. If the printer is not working in the condition of what you need, Printer must be reset before use.

In the use of the original infrared (RAW - IR) and IrDA (IrCOMM) printing, In the printing process should aim the main device to printer infrared Windows, distance cannot be more than 50 cm (depending on the different main equipment may differ), Angle should not exceed 30 degrees.

Dimension



(mm)