

# M. C. F. [ Monolithic Crystal Filters ]

**U1**  
[ 7.8 \* 3.1 \* 8.0 mm ]

**U5**  
[ 7.8 \* 3.1 \* 6.0 mm ]

**Dip Type**  
**Jacket Type**

**Fund.**

**21.4 MHz**

**45.0 MHz**

**2 poles**

**4 poles**

**6 poles**

**8 poles**

Thru - Hole Type ( standard frequency 10.700 MHz ) ; available frequency range ( 10.695 ~ 10.800 MHz )

Channel Spacing ( KHz )	Model	No. of poles	Pass Bandwidth		Stop Bandwidth		Ripple	Insertion Loss	Guaranteed Attenuation		Terminating Impedance	Package	
			dB	KHz (min.)	dB	KHz (max.)	dB (max.)	dB (max.)	dB	KHz	ohms // pF	Tandem set	One package
12.5	<b>21M7.5A</b>	2	3	± 3.75	20	± 18	0.5	1.5	35	±300 ~ ±1000	850 // 6.0	U-1 , U-5	
	<b>21M7.5B</b>	4	3	± 3.75	40	± 15	1.0	2.5	65	±300 ~ ±1000	850 // 5.0	a pair ( U -1,U-5 )	
	<b>21M7.5C</b>	6	3	± 3.75	45	± 8.75	2.0	3.0	65	±12.5 ~ ±300	850 // 5.0	3 pcs	S1
	<b>21M7.5D</b>	8	3	± 3.75	65	± 8.75	2.0	4.0	90	±12.5 ~ ±300	850 // 5.0	4 pcs	S2
20.0	<b>21M12A</b>	2	3	± 6.0	20	± 25	0.5	1.5	35	±300 ~ ±1000	1.2K // 3.0	U-1 , U-5	
	<b>21M12B</b>	4	3	± 6.0	40	± 20	1.0	2.5	65	±300 ~ ±1000	1.2K // 2.5	a pair ( U -1,U-5 )	
	<b>21M12C</b>	6	3	± 6.0	45	± 15	2.0	3.0	65	±20 ~ ±300	1.2K // 2.5	3 pcs	S1
	<b>21M12D</b>	8	3	± 6.0	65	± 15	2.0	4.0	90	±20 ~ ±300	1.2K // 2.5	4 pcs	S2
25.0	<b>21M15A</b>	2	3	± 7.5	18	± 25	0.5	1.5	35	±300 ~ ±1000	1.5K // 2.0	U-1 , U-5	
	<b>21M15B</b>	4	3	± 7.5	40	± 25	1.0	2.5	65	±300 ~ ±1000	1.5K // 2.0	a pair ( U -1,U-5 )	
	<b>21M15C</b>	6	3	± 7.5	45	± 18	2.0	3.0	65	±25 ~ ±300	1.5K // 2.0	3 pcs	S1
	<b>21M15D</b>	8	3	± 7.5	65	± 18	2.0	4.0	90	±25 ~ ±300	1.5K // 2.0	4 pcs	S2
50.0	<b>21M30A</b>	2	3	± 15	15	± 45	0.5	1.5	35	±300 ~ ±1000	1.5K // 1.0	U-1 , U-5	
	<b>21M30B</b>	4	3	± 15	40	± 50	1.0	2.5	65	±300 ~ ±1000	2.2K // 0.5	a pair ( U -1,U-5 )	
	<b>21M30C</b>	6	3	± 15	45	± 35	2.0	3.0	65	±45 ~ ±300	2.2K // 0.5	3 pcs	S1
	<b>21M30D</b>	8	3	± 15	65	± 35	2.0	4.0	90	±50 ~ ±300	2.2K // 0.5	4 pcs	S2

Thru - Hole Type [ standard frequency 45.000 MHz( Fundamental mode ) ] ; available frequency range ( 45.000 ~ 45.100 MHz )

Channel Spacing ( KHz )	Model	No. of poles	Pass Bandwidth		Stop Bandwidth		Ripple	Insertion Loss	Guaranteed Attenuation		Terminating Impedance	Package	
			dB	KHz (min.)	dB	KHz (max.)	dB (max.)	dB (max.)	dB	KHz	ohms // pF	Type	
12.5	<b>45M7.5A</b>	2	3	± 3.75	10	± 12.5	1.0	2.0	65	±300 ~ ±1000	200 // 4.0	U5	U1
	<b>45M7.5B</b>	4	3	± 3.75	30	± 12.5	1.0	4.0	80	±300 ~ ±1000	350 // 6.5	U5 a pair	U1 a pair
25.0	<b>45M15A</b>	2	3	± 7.5	15	± 25	1.0	2.0	35	±300 ~ ±1000	650 // 3.0	U5	U1
	<b>45M15B</b>	4	3	± 7.5	30	± 25	1.0	3.0	80	±300 ~ ±1000	650 // 3.0	U5 a pair	U1 a pair
50.0	<b>45M30A</b>	2	3	± 15	15	± 60	1.5	2.5	35	±300 ~ ±1000	1.2K // 0	U5	U1
	<b>45M30B</b>	4	3	± 15	30	± 50	1.0	3.0	80	±300 ~ ±1000	1.2K // 0.7	U5 a pair	U1 a pair

**Mercury** [www.mercury-crystal.com](http://www.mercury-crystal.com) ■Taiwan : Tel: (+886)-2-2406-2779 / sales-tw@mercury-crystal.com

■USA : Tel: (+1)-909-466-0427 / sales-us@mercury-crystal.com ■China : Tel: (+86)-512-5763-8100 / sales-cn@mercury-crystal.com

# M. C. F. [ Monolithic Crystal Filters ]

## Part Number Format and Example

SMD Type Part Number Format			
[ 1 ]	[ 2 ]	[ 3 ]	[ 4 ]
Frequency Code	MQ	Width Code	Poles Code

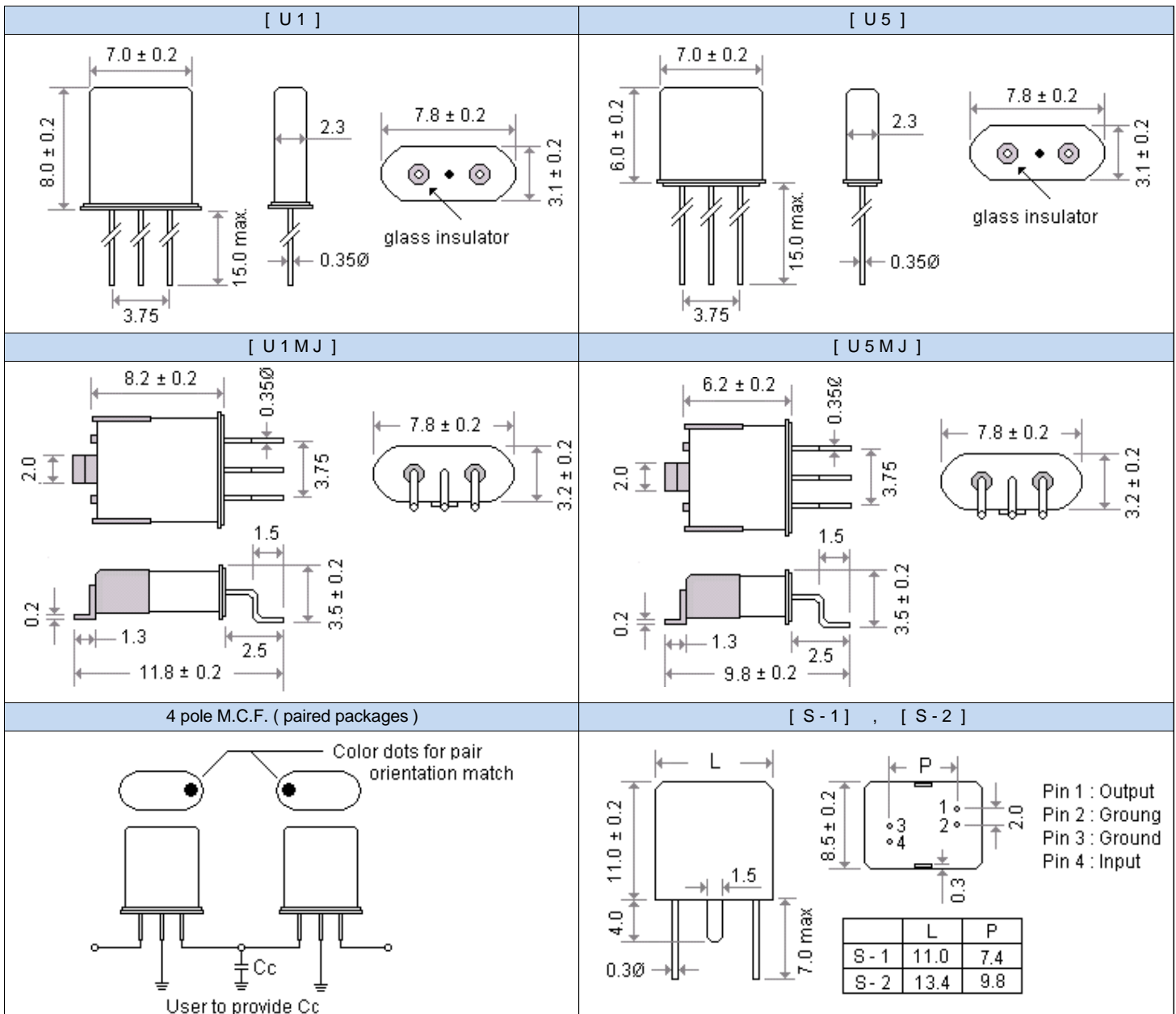
Examples	45	MQ	30	A
----------	----	----	----	---

Dip Type Part Number Format				
[ 1 ]	[ 2 ]	[ 3 ]	[ 4 ]	[ 5 ]
Frequency Code	M	Width Code	Poles Code	Holder Type

Examples	21.7	M	7.5	D	U5SM
----------	------	---	-----	---	------

[ 1 ]	Freq. code : " 10 " for 10.700MHz , " 21 " for 21.400MHz , " 21.7 " for 21.700MHz , " 45 " for 45.000MHz , Freq. code : If none standard freq. please show frequency with one decimal point .
[ 2 ]	" M " Dip Type series , " MQ " SMD Type ( 7.0 * 5.0 * 1.3 mm )
[ 3 ]	Pass band width ( 3dB ) (min.) " 7.5 " for $\pm 3.75$ KHz , " 15 " for $\pm 7.5$ KHz , " 20 " for $\pm 10$ KHz , " 30 " for $\pm 15$ KHz ,
[ 4 ]	No. of poles " A " for 2 poles , " B " for 4 poles , " C " for 6 poles , " D " for 8 poles
[ 5 ]	Dip type holder type
[ 6 ]	Standard operating temperature range is -20°C to 70°C , If non-standard please enter the desired temp. range after " / " , for example " / -30+70 " : -30°C to 70°C

## Package Dimensions ( unit : mm )



Mercury [www.mercury-crystal.com](http://www.mercury-crystal.com) ■ Taiwan : Tel: (+886)-2-2406-2779 / sales-tw@mercury-crystal.com

■ USA : Tel: (+1)-909-466-0427 / sales-us@mercury-crystal.com ■ China : Tel: (+86)-512-5763-8100 / sales-cn@mercury-crystal.com