

Temperature Compensated Crystal Oscillators [TCXO " M " and VCTCXO " VM "]

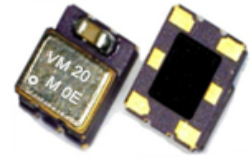


TCXO			VCTCXO			Min.	Max.
MQF _ T	MQF _ P	MQF _ D	VMQF _ T	VMQF _ P	VMQF _ D	10	1,500
CMOS	PECL	LVDS	CMOS	PECL	LVDS	MHz	MHz

Features

1.5 pS Phase Jitter (typical)

The (V)MQF326T , (V)MQF326P and (V)MQF326D Series are members of Mercury's Q-Family Quick-Turn Temperature Compensated oscillators that can be delivered within days. With low current consumption (44 mA for PECL 212.500 MHz at 3.3V) and an integrated phase jitter performance of 1.0 pS RMS, they have gained its precision frequency control market position by providing engineers with next-day samples for prototypes and low cost, fast delivery for volume production (± 2.5 ppm over -30°C to +85°C).



General specifications , at Ta=+25°C

Model	(V)MQF326T	(V)MQF326P	(V)MQF326D					
Output Logic	CMOS	PECL	LVDS					
Supply Voltage V _{DD} (code)	+ 2.5 V ± 5% (voltage code " 25 ") + 3.3 V ± 5% (voltage code " 33 ")	+ 2.5 V ± 5% (voltage code " 25 ") + 3.3 V ± 5% (voltage code " 33 ")	+ 2.5 V ± 5% (voltage code " 25 ") + 3.3 V ± 5% (voltage code " 33 ")					
Available Frequency Range	10 ~ 250 MHz	10 ~ 1,500 MHz	10 ~ 1,500 MHz					
Output Load	15 pF	50 Ω into V _{cc} - 2V or Thevenin equivalent	100 Ω					
Output Logic " High " , " 1 "	90 % V _{DD}	V _{DD} - 1.03 (min.) , V _{DD} - 0.6 (max.)	1.4 V (Typ.) , 1.6 V (max.)					
Output Logic " Low " , " 0 "	10 % V _{DD}	V _{DD} - 1.85 (min.) , V _{DD} - 1.6 (max.)	1.1 V (Typ.) , 0.9 V (min.)					
(V _{DD} = + 2.5V)	50 MHz : 34 mA	156 MHz : 46 mA	156 MHz : 32 mA					
Current Consumption (max.)	125 MHz : 38 mA	600 MHz : 50 mA	600 MHz : 38 mA					
	200 MHz : 40 mA	1,000 MHz : 60 mA	1,000 MHz : 44 mA					
	(V _{DD} = + 3.3V)	50 MHz : 36 mA	156 MHz : 50 mA	156 MHz : 35 mA				
Current Consumption (max.)	125 MHz : 40mA	600 MHz : 55 mA	600 MHz : 40 mA					
	200 MHz : 44 mA	1,000 MHz : 62 mA	1,000 MHz : 46 mA					
	Current with Output Disabled	18 mA (Typ.)	18 mA (Typ.)	18 mA (Typ.)				
Rise Time / Fall Time	1.5 nsec. (Typ.) , 3.0 nsec. (max.) Tr / Tf : 10% → 90% waveform	0.2 nsec. (Typ.) , 0.5 nsec. (max.) Tr / Tf : 20% → 80% waveform	0.2 nsec. (Typ.) , 0.4 nsec. (max.) Tr / Tf : 20% → 80% waveform					
Initial Calibration Tolerance	±1.0 ppm (max.) at +25°C±2°C (at the shipment)							
Frequency Stability Codes	Temperature (refer to +25°C)	± 2.5 ppm over -30°C to +85°C (default for Quick - Turn) ± 1.0 ppm over -40°C to +85°C (available)						
	Aging at Ta = +25°C	± 2.0 ppm (max.) first year ; ± 10 ppm (max.) over 10 years						
	Voltage Change	± 0.2 ppm (max.) , for a ±5% input voltage change.						
	Load Change	± 0.2 ppm (max.) , for a ±10% load condition change.						
	Reflow	± 1.0 ppm (max.) , 1 reflow and measured 24 hours afterwards.						
Duty Cycle	50 % ± 5%							
Start-up Time	5 msec. (max.)							
Storage Temperature	-55°C to + 150°C							
RMS Jitter [12 kHz ~ 20 MHz]	1.5 psec (typ.)							
Phase Noise [dBc / Hz (typ.)]	Offset	10 Hz	100 Hz	1K Hz	10K Hz	100K Hz	1M Hz	10M Hz
	156.250 MHz	-65	-92	-108	-114	-117	-139	-147
	212.500 MHz	-61	-90	-106	-110	-112	-133	-142
	312.500 MHz	-51	-79	-97	-102	-103	-125	-134
Storage Temperature	-55°C to + 150°C							

Control Voltage Function on Pad 1		Output Enable Function on pad 2	
Control Voltage Center and Range	+1.5V ± 1.0V for both V _{DD} = 2.5V and 3.3V	OE Control on Pad 2	70% of V _{DD} (min.) to enable output. (Open connection prohibit.)
Frequency Pulling Range	± 8 ppm (min.)		30% of V _{DD} (max.) to disable output.
Linearity	± 1 % (typ.) ± 10% (max.)		
Transfer Function	Positive Transfer	Output Enable Time / Disable Time	200 nsec. (max.) / 50 nsec. (max.)
Absolute Voltage	4.0 V (max.)		
Input Impedance	770 KΩ (typ.)		

Mercury www.mercury-crystal.com ■ Taiwan : Tel: (+886)-2-2406-2779 / sales-tw@mercury-crystal.com

■ USA : Tel: (+1)-909-466-0427 / sales-us@mercury-crystal.com ■ China : Tel: (+86)-512-5763-8100 / sales-cn@mercury-crystal.com

Temperature Compensated Crystal Oscillators [TCXO " M " and VCTCXO " VM "]

TCXO			VCTCXO			F series	SMD	2.5 V 3.3 V	Min. 10 MHz	Max. 1,500 MHz
MQF _ T	MQF _ P	MQF _ D	VMQF _ T	VMQF _ P	VMQF _ D					
CMOS	PECL	LVDS	CMOS	PECL	LVDS					

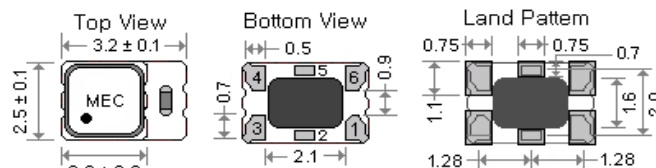
Part Number Format and Example

Example : VMQF326D33 - 622.080 - 2.0 / -40+85

VMQF	326	D	33	-	622.080	-	2.0	/	-40+85
Hold Type	Package	T : CMOS	Supply Voltage		Center Freq. (MHz)		Freq. Stability	/	Operating Temperature Range
" MQF " : TCXO	" 326 "	P : PECL	" 33 " for 3.3V						
" VMQF " : VCTCXO	(3.2 * 2.5 mm)	D : LVDS	" 25 " for 2.5V						

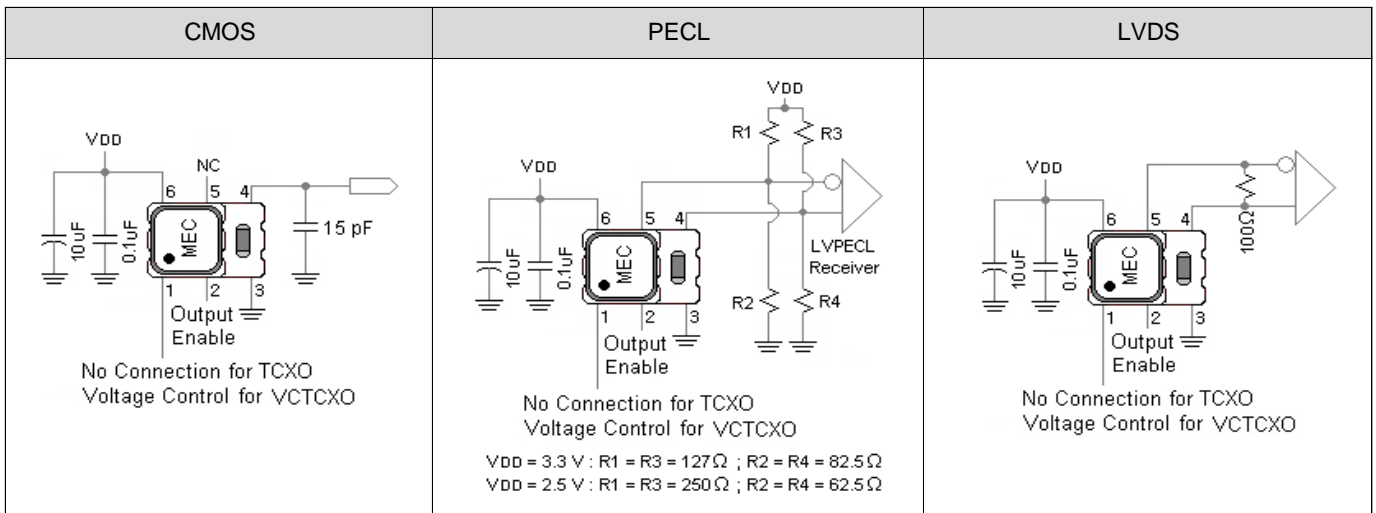
Outline Dimensions (Unit : mm) , Suggested pad Layout for SMDs

[(V)MQF326T] , [(V)MQF326P] , [(V)MQF326D]



- Pad Connections :
- Pad 1: No Connection for TCXO
Voltage Control for VCTCXO
 - Pad 2: Output Enable
 - Pad 3: Ground
 - Pad 4: CMOS: Output
PECL / LVDS : Differential
 - Pad 5: CMOS: No Connection
PECL / LVDS : Complementary
 - Pad 6: Supply Voltage

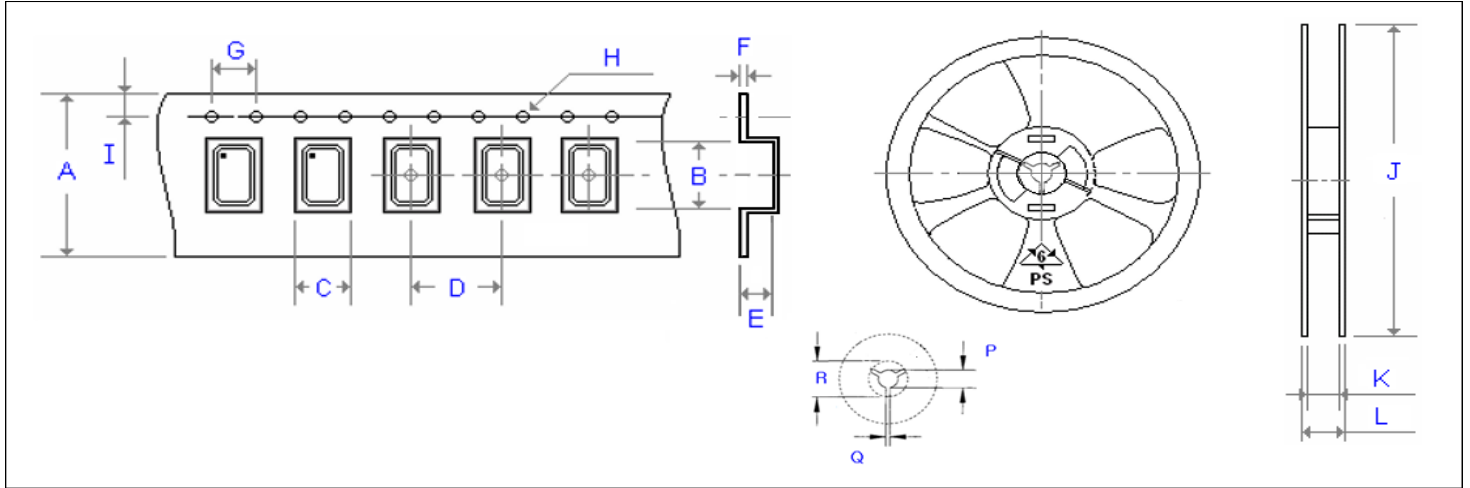
Test Circuits and Output Waveforms



Emboss Taping and Reel Specifications

[VCXO]

[(VC)TCXO]



Carrier Type Dimensions (unit : mm) ±0.3mm

	A	B	C	D	E	F	G	H	I	pcs / reel
G_226	8.00	2.80	2.25	4.00	1.10	0.30	4.00	∅ 1.50	1.75	3000
G_326	8.00	3.40	2.70	4.00	1.40	0.25	4.00	∅ 1.50	1.75	3000
G_534	12.00	5.30	3.60	8.00	1.40	0.30	4.00	∅ 1.50	1.75	1000
G_576	16.00	7.30	5.30	8.00	1.90	0.32	4.00	∅ 1.50	1.75	1000
G_43	24.00	11.80	10.00	16.00	5.00	0.30	4.00	∅ 1.50	1.75	500
G_63	24.00	11.80	10.00	16.00	5.00	0.30	4.00	∅ 1.50	1.75	500
G_JF538	12.00	5.30	3.60	8.00	1.40	0.30	4.00	∅ 1.50	1.75	1000
G_JF578	16.00	7.30	5.30	8.00	1.90	0.32	4.00	∅ 1.50	1.75	1000
(V)M21	8.00	2.30	1.90	4.00	0.90	0.25	4.00	∅ 1.50	1.75	3000
(V)ME21	8.00	2.30	1.50	4.00	1.35	0.25	4.00	∅ 1.50	1.75	3000
(V)M22	8.00	2.80	2.25	4.00	1.10	0.30	4.00	∅ 1.50	1.75	3000
(V)M_32	8.00	3.71	2.80	4.00	1.75	0.25	4.00	∅ 1.50	1.75	3000
(V)MQ_326	12.00	3.60	2.90	4.00	1.70	0.30	4.00	∅ 1.50	1.75	3000
(V)M_53	12.00	5.30	3.60	8.00	1.40	0.30	4.00	∅ 1.50	1.75	1000
(V)M_57(2)	16.00	7.40	5.50	8.00	2.80	0.35	4.00	∅ 1.50	1.75	500
(V)M_43 (63)	24.00	11.80	10.00	16.00	5.00	0.30	4.00	∅ 1.50	1.75	500

Reel Dimensions (unit : mm) ±2mm

	J	K	L	P	Q	R	pcs / reel
G_226	180.00	8.40	11.40	13.00	2.50	20.20	3000
G_326	180.00	9.00	12.00	13.00	2.50	20.20	3000
G_534	180.00	13.00	16.00	13.00	2.50	20.20	1000
G_576	180.00	17.20	19.30	13.00	2.50	20.20	1000
G_43	330.00	24.50	29.10	13.00	2.50	20.20	500
G_63	330.00	24.50	29.10	13.00	2.50	20.20	500
G_JF538	180.00	13.00	16.00	13.00	2.50	20.20	1000
G_JF578	180.00	17.20	19.30	13.00	2.50	20.20	1000
(V)M21	180.00	8.40	11.40	13.00	2.50	20.20	3000
(V)ME21	180.00	9.00	12.00	13.00	2.50	20.20	3000
(V)M22	180.00	8.40	11.40	13.00	2.50	20.20	3000
(V)M_32	180.00	9.00	11.40	13.00	2.50	20.20	3000
(V)MQ_326	180.00	13.00	16.00	13.00	2.50	20.20	3000
(V)M_53	180.00	13.00	16.00	13.00	2.50	20.20	1000
(V)M_57(2)	180.00	17.20	19.30	13.00	2.50	20.20	500
(V)M_43 (63)	330.00	24.50	29.10	13.00	2.50	20.20	500

Mercury www.mercury-crystal.com ■Taiwan : Tel: (+886)-2-2406-2779 / sales-tw@mercury-crystal.com

■USA : Tel: (+1)-909-466-0427 / sales-us@mercury-crystal.com ■China : Tel: (+86)-512-5763-8100 / sales-cn@mercury-crystal.com