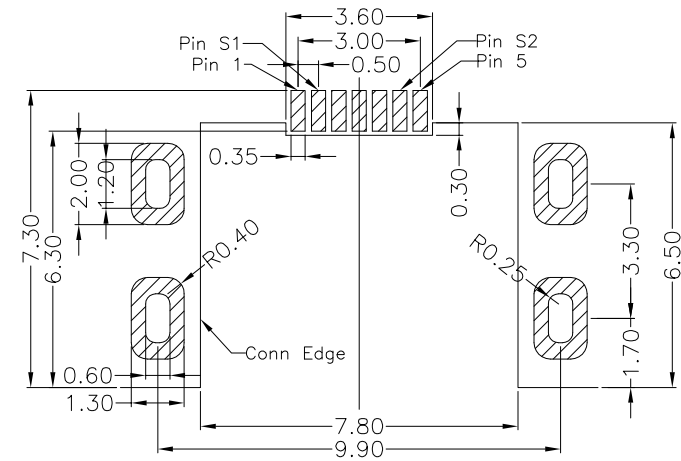
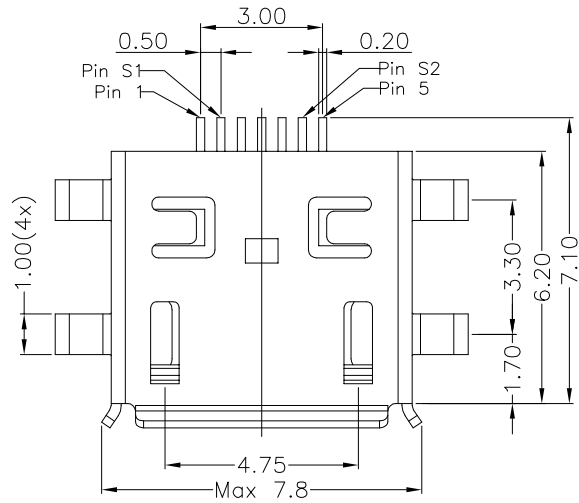
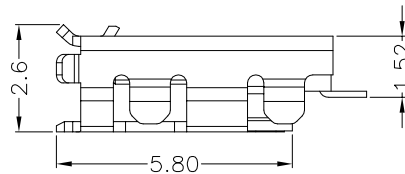
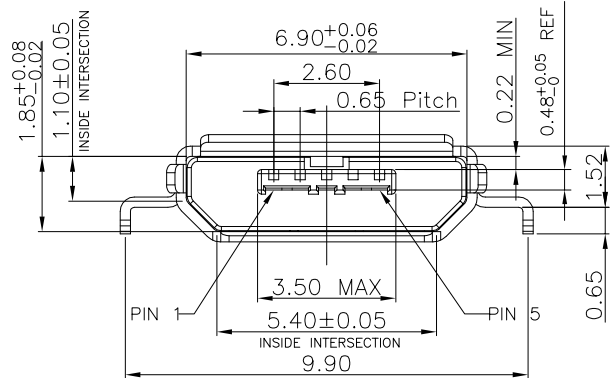


REV.	DATE	ECN NO.	MODIFICATION	APPROVER
A	2012/08/01	/	NEW	Vicky

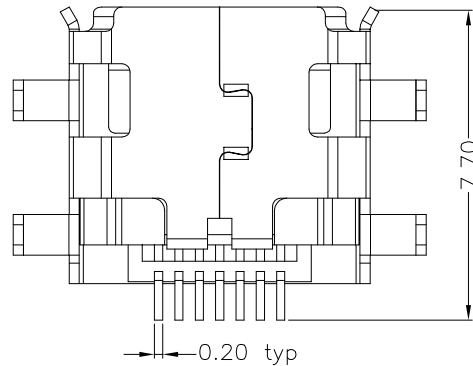


RECOMMENDED PCB LAYOUT
(TOL:±0.05)



NOTE:

- MATERIAL:
 - Housing: LCP UL94V-0;
 - Terminal: Phosphor bronze, Nickel ground, Gold Plated 1u";
 - Shell: SUS, Tin plating 100u";
- MAIN FEATURES:
 - Rating current: 0.5A;
 - Contact resistance: 30mΩ MAX;
 - Insulation resistance: 100MΩ MIN 250V DC;
 - Withstanding voltage test: 250V AC;
 - solderability: Temperature 235±5°C, time 5±0.5s;
 - Overall insertion force: 3.57kgf MAX
Overall extraction force: 1.00kgf MIN;
 - Life cycle: 5000 cycles
 - Resistance to temperature:
 - Oven test: Temperature: 250±5°C, time 2 mins;
 - Operating temperature: -30°C~+80°C.



GENERAL TOLERANCE			UNITS	mm	NAME:	USB	ATOM [®] 深圳市爱特姆科技有限公司 SHENZHEN ATOM TECHNOLOGY CO., LTD.			
SELECT	✓		MAT'L		PART NO:	USB207FB-C1014201	TITLE: MICRO USB 7P FEMALE SMT 沉板0.85 四脚DIP9.9			
TOL.	1	2			3	APPD:	Vicky	DWG NO. ATOM-A02376		
ON.					CHKD:	Doris		SCALE	SHEET	REV
X.XXX	±0.05	±0.05	±0.15	FINISH		1:1		1/1	A	
X.XX	±0.15	±0.13	±0.25	Q'TY						
X.X	±0.25	±0.25	±0.50		DR:	Hindy				
X.		±0.38	±1.00							
ANGLE	±1'									