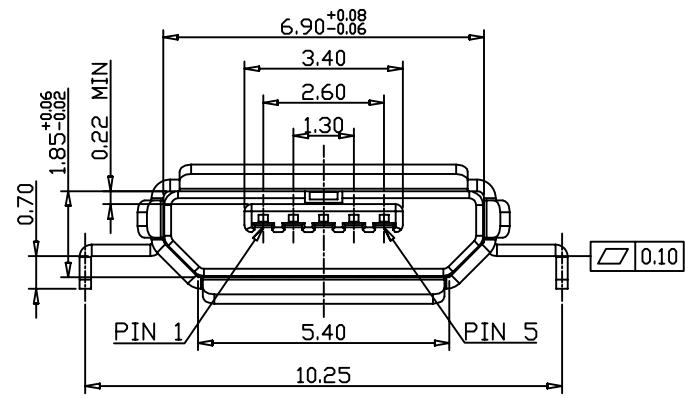
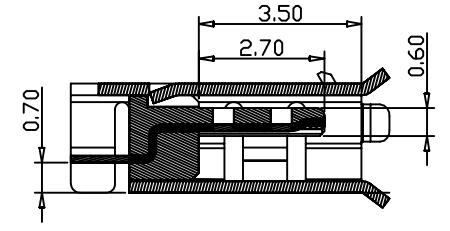
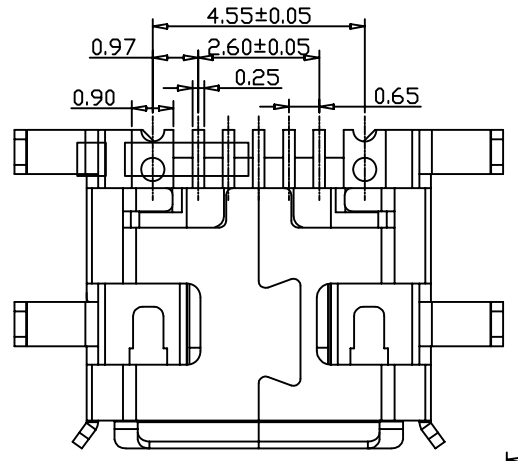
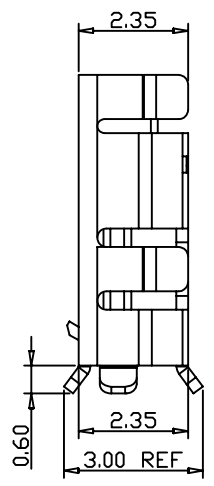
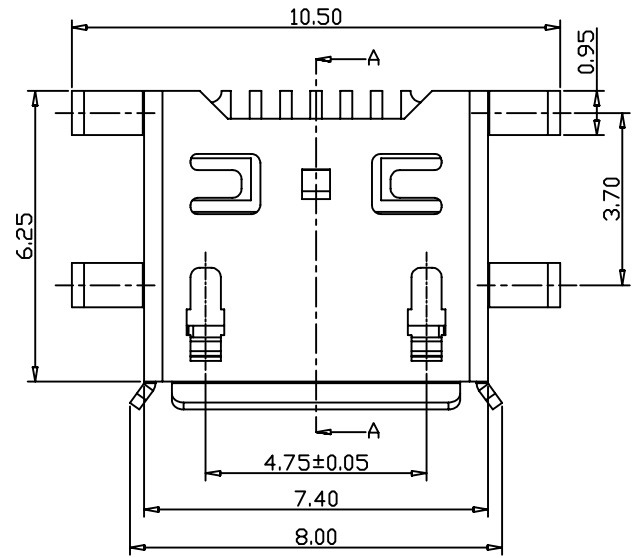
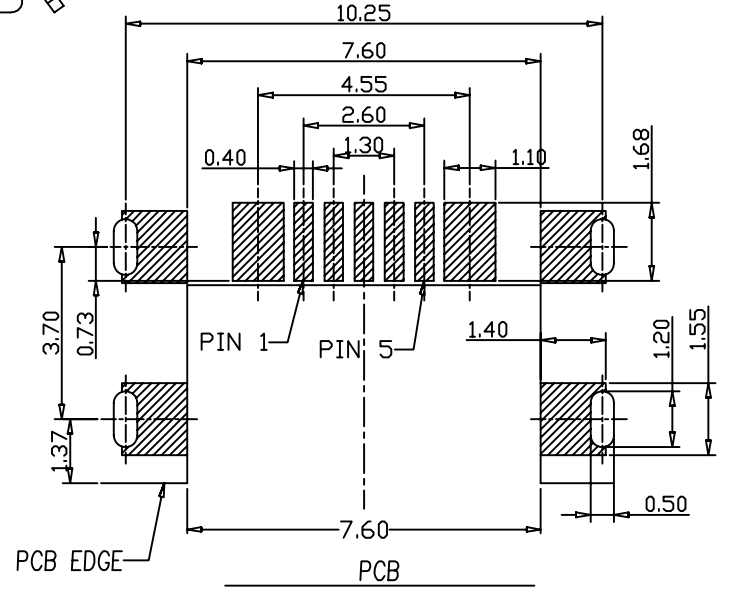


REV.	DATE	ECN NO.	MODIFICATION	APPROVER
A	2013/01/21	/	NEW	Vicky



NOTE:
 1. MATERIAL:
 1.1 Housing: LCP UL94V-0;
 1.2 Terminal: Copper Alloy, Semi Gold and Tin, Au plated on contact, matte Tin plated;
 1.3 Shell: SUS, Matte Tin plating on surface;
 2. MAIN FEATURES:
 2.1 Rating current: 1A;
 2.2 Contact resistance: 50mΩ MAX;
 2.3 Insulation resistance: 100MΩ MIN 100V DC;
 2.4 Withstanding voltage test: 100V AC;
 2.5 Solderability: Temperature 235±5°C, time 5±0.5s;
 2.6 Pin retention force: 0.5kgf MIN;
 2.7 Overall insertion force: 3.57kgf MAX
 Overall extraction force: 1.00kgf MIN;
 2.8 Life cycle: 5000 cycles
 2.9 Resistance to temperature:
 Oven test: Temperature: 250±5°C, time 2 mins;
 2.10 Operating temperature: -30°C~+80°C.



GENERAL TOLERANCE			UNITS	mm	NAME:	USB	ATOM® 深圳市爱特姆科技有限公司 SHENZHEN ATOM TECHNOLOGY CO., LTD.		
SELECT	✓		MAT'L		PART NO:	USB205FB-C1026206	TITLE: MICRO USB 5P FEMALE SMT B TYPE 沉板0.7 外壳DIP 带接地片 带翻边 端子镀半金锡		
ON.	TOL.				FINISH	APPD:	Vicky	DWG NO. ATOM-A02109	
X.XXX	±0.05	±0.05 ±0.15	Q'TY		CHKD:	Emilia	SCALE	SHEET	REV
X.XX	±0.15	±0.13 ±0.25			DR:	Doris			
X.X	±0.25	±0.25 ±0.50							
X.		±0.38 ±1.00							
ANGLE	±1'								