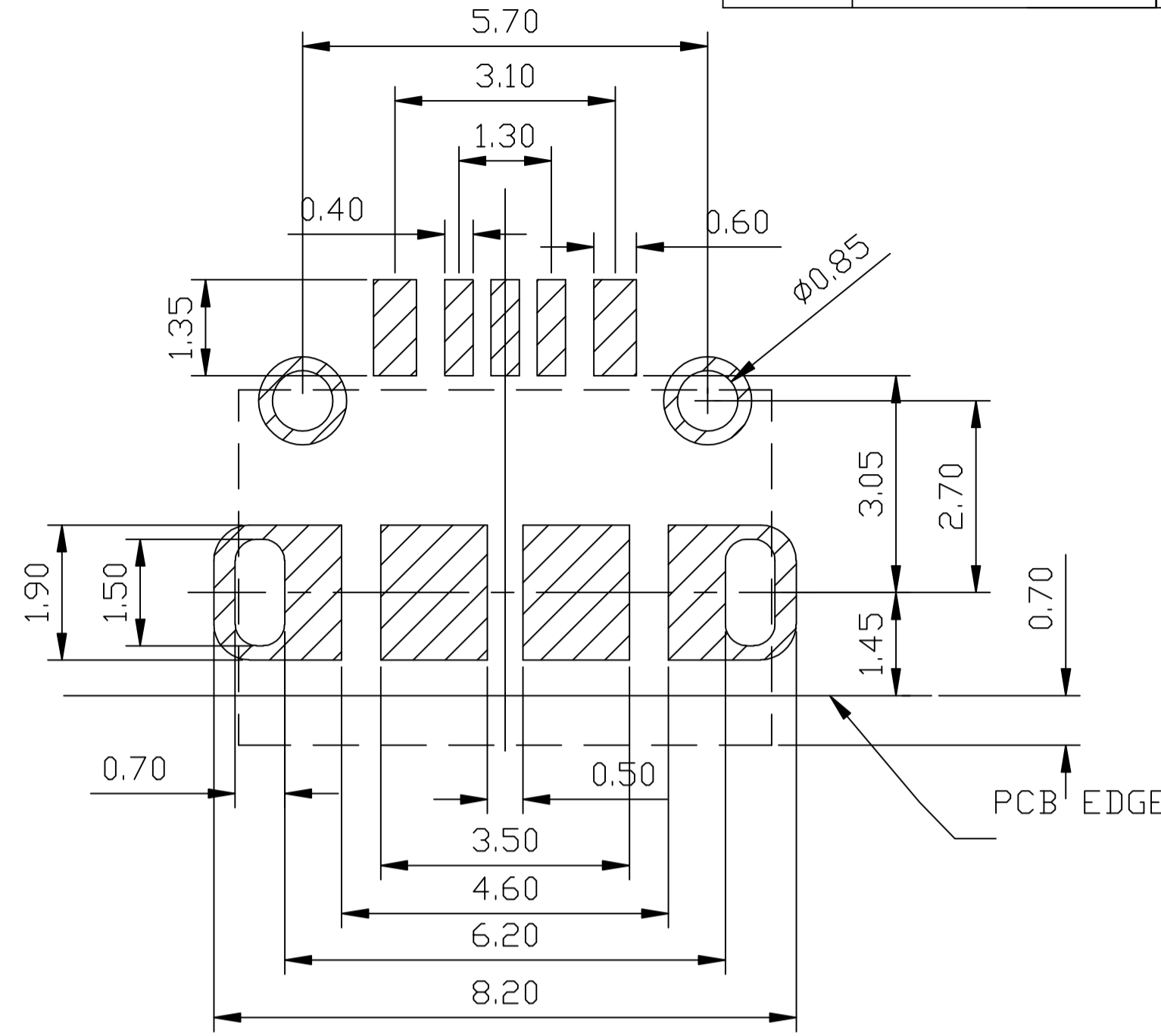
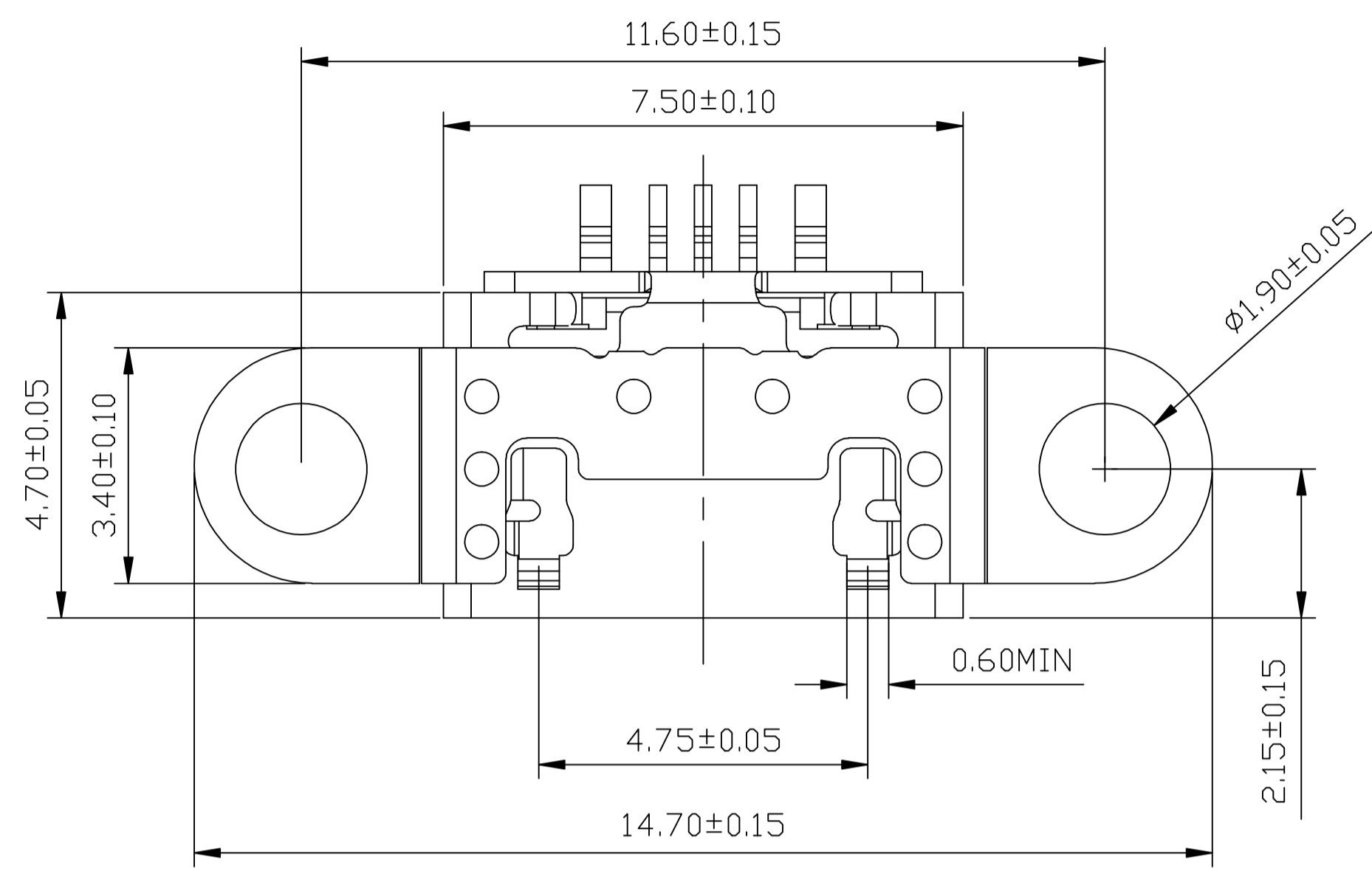
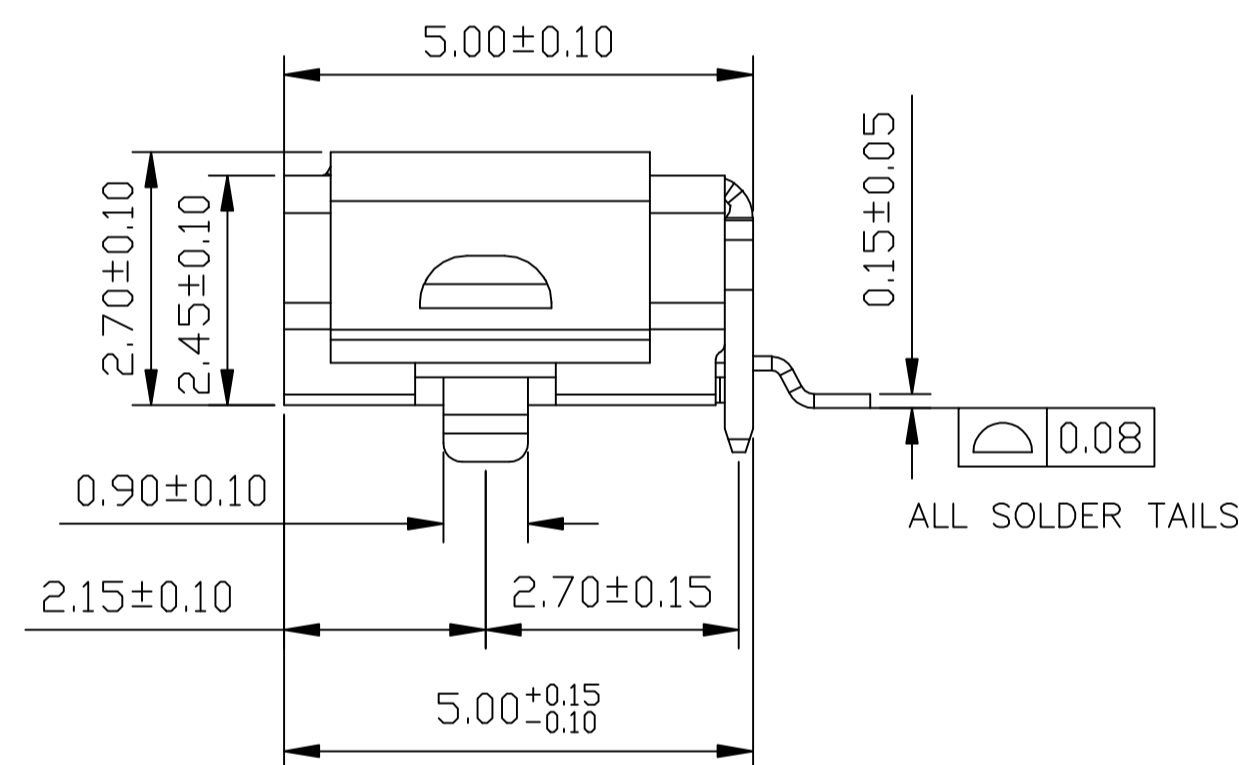
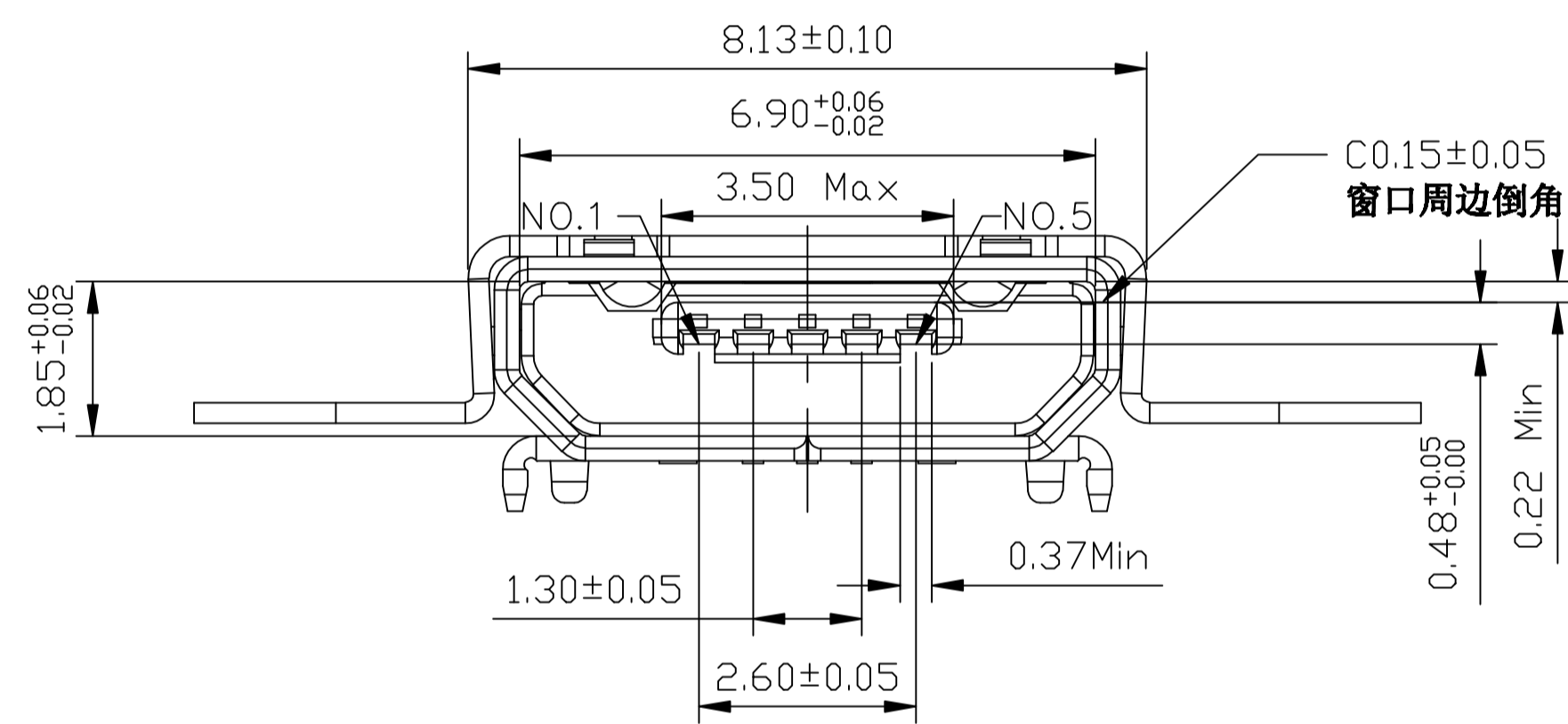


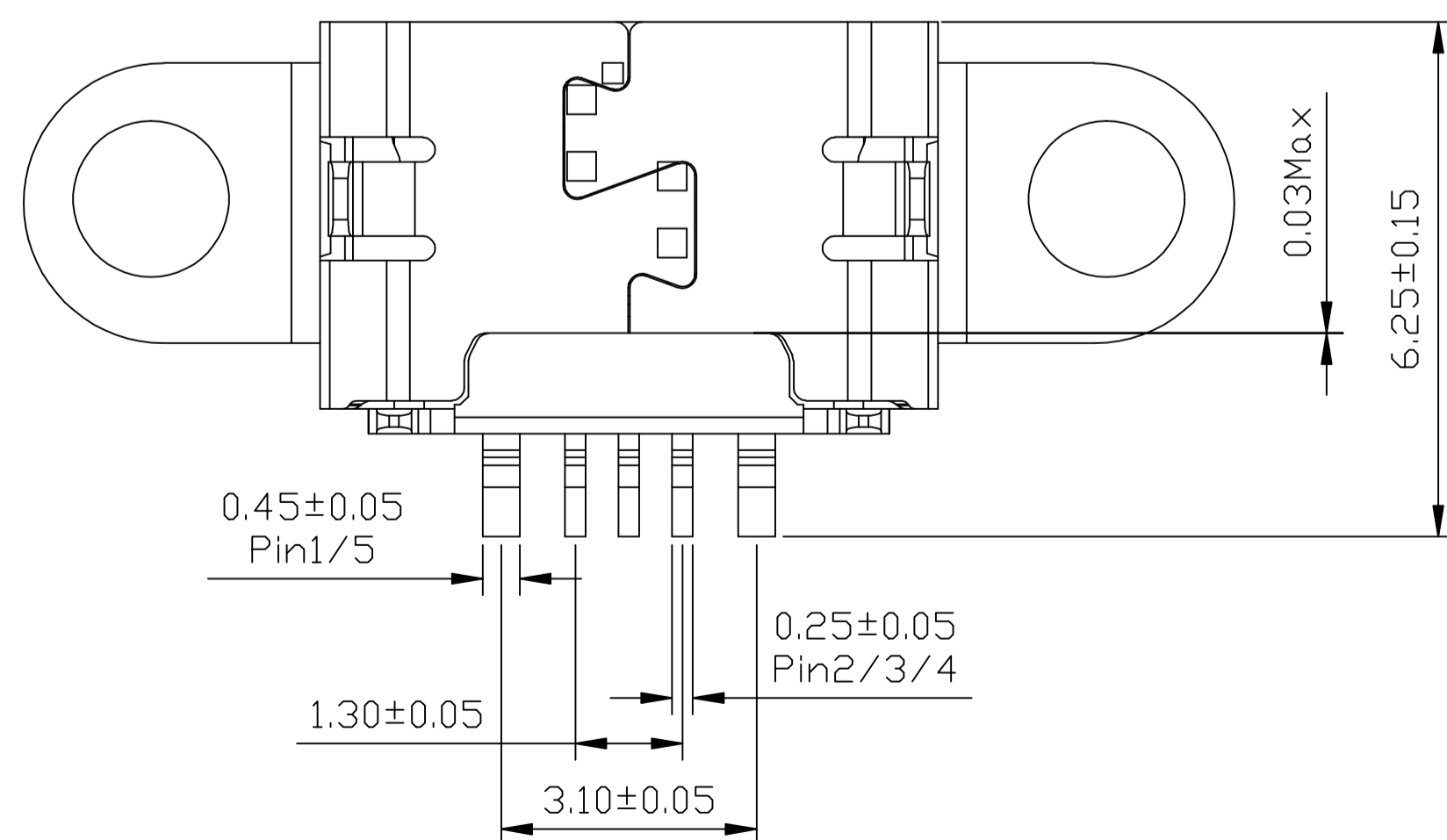
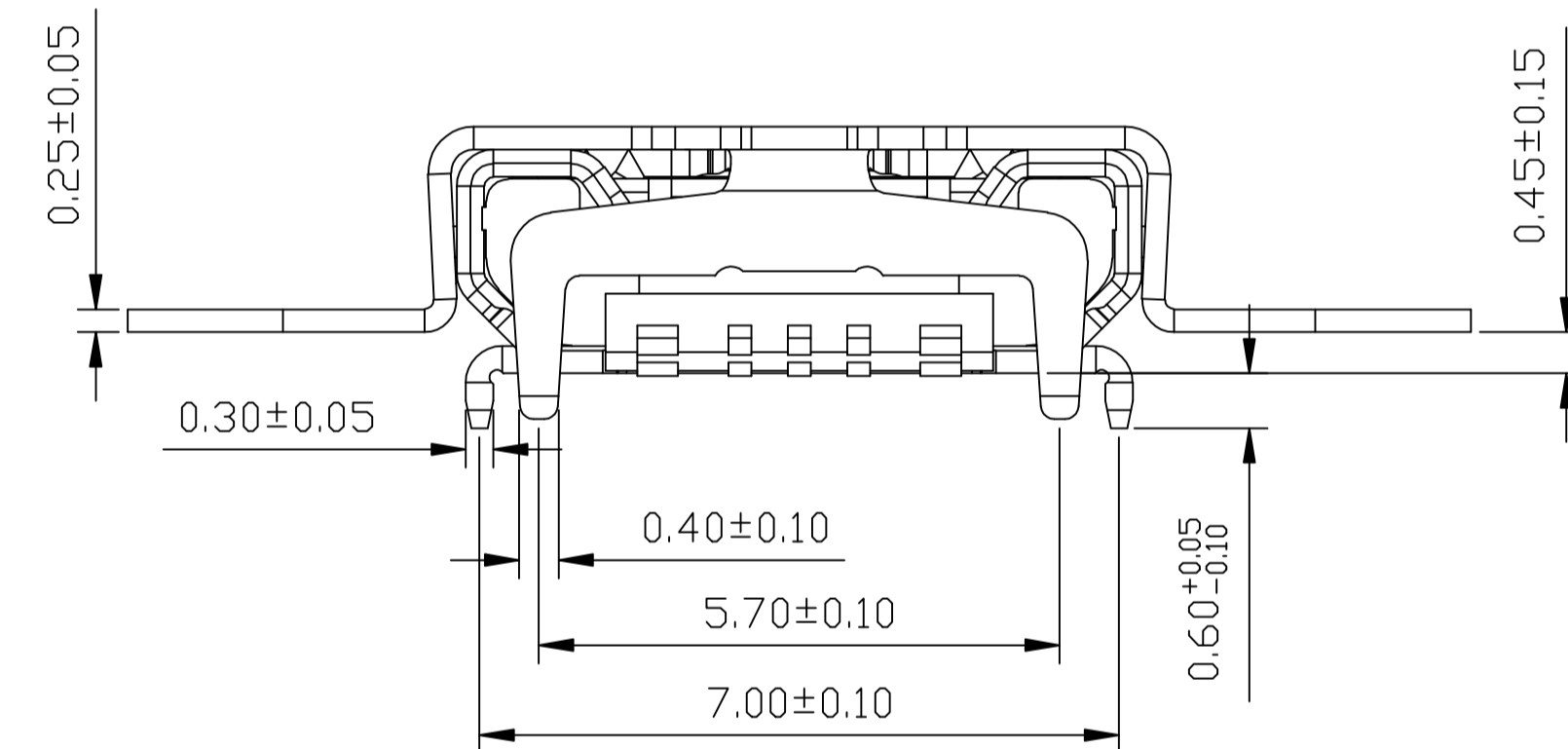
REV.	DATE	ECN NO.	MODIFICATION	APPROVER
A	2016/12/23	/	NEW	Vicky



RECOMMENDED PCB LAYOUT
TOP VIEW (TOL: ±0.05)



ALL SOLDER TAILS



Pin Number	Signal Name
1	VBUS
2	D-
3	D+
4	ID
5	GND

ITEM	PART NAME	Q'TY	MATERIAL	
01	HOUSING	1 PCS	THERMOPLATIC	BLACK COLOR,UL94V-0
02	CONTAT A	1 PCS	COPPER ALLOY	GOLD PLATED OVER NICKEL PLATED
03	SHELL	1 PCS	SUS	NI/MATTER TIN
04	BRACKET	1 PCS	SUS	NO PLATING

GENERAL TOLERANCE		UNITS	NAME:	USB		
SELECT	✓	mm	PART NO:	USB205FB-C1014215		
TOL. ON.	1 2 3	MAT'L	APPD:	Vicky		
X.XXX	±0.10 ±0.05 ±0.15	FINISH	CHKD:	Doris		
X.XX	±0.15 ±0.13 ±0.25	Q'TY	DR:	Cmy		
X.X	±0.20 ±0.25 ±0.50					
X.	±0.38 ±1.00					
ANGLE	±2'					
TITLE: MICRO USB 5P FEMALE SMT B TYPE 无定位柱 四脚全插 无卷边 带耳				DWG NO. ATOM-A03292		
SCALE				SHEET	REV	
1:1				1/1	A	

ATOM® 深圳市爱特姆科技有限公司
SHENZHEN ATOM TECHNOLOGY CO., LTD.