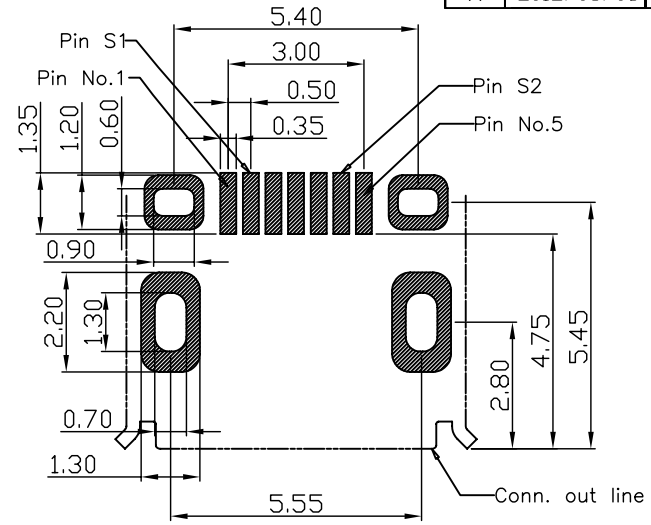
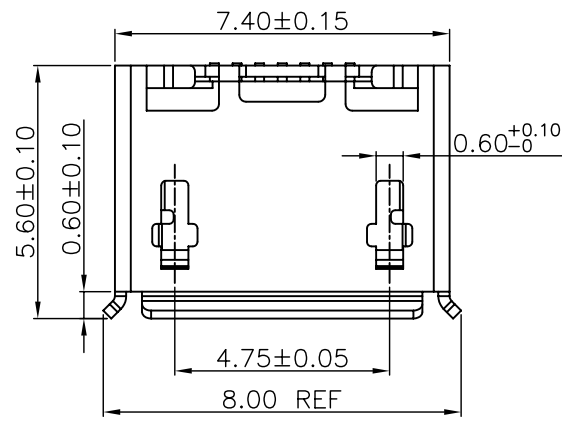
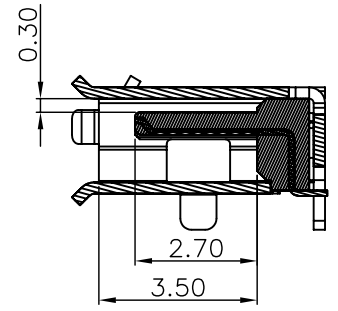
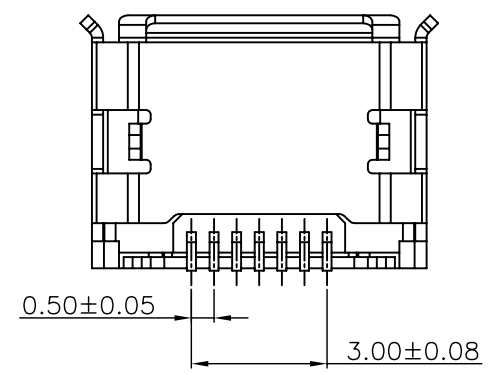
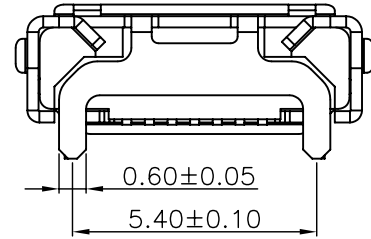
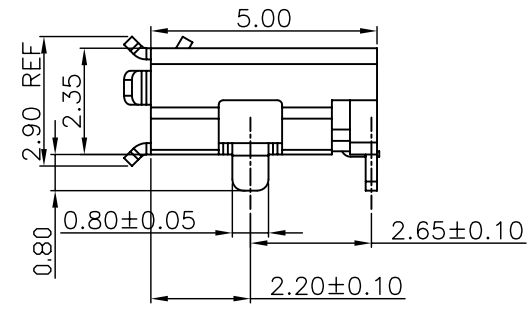
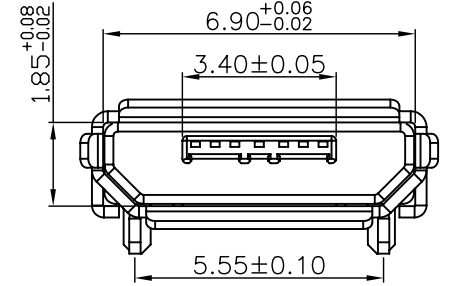


REV.	DATE	ECN NO.	MODIFICATION	APPROVER
A	2012/05/08	/	NEW	Vicky



P.C.B LAYOUT

Note:
 1.Materials:
 1.1Housing: LCP UL94V-0
 1.2Contact: Phosphor Bronze, Nickel groud Gold Plated XU"
 1.3Shell: Stainless steel,Nickel Plated 30U" or Tin Plated 100U"
 2.Main features:
 2.1Rating Current: 0.5A
 2.2Contact resistance: 30mΩ MAX
 2.3Insulation resistance: 100MΩ MIN 250V DC
 2.4Dielectric Withstanding Voltage:250V AC
 2.5Solderability: Temperature 235±5℃, time5±0.5s
 2.6Retention force:0.5kgf MIN
 2.7Overall insertion force: 3.57kgf MAX (initial value)
 Overall extraction force:1.00kgf MIN (initial value)
 2.8Life cycle: 5000 times (Electric features are ok after test)
 2.9Resistance to high temperature : oven test: temperature 250±5℃, time: 2 minutes
 2.9Operating: Temperatur: -30℃ ~ +80℃



GENERAL TOLERANCE			UNITS	NAME:	USB		
SELECT	✓		mm		ATOM® 深圳市爱特姆科技有限公司 SHENZHEN ATOM TECHNOLOGY CO., LTD.		
TOL.	1	2	MAT'L	PART NO:	TITLE: MICRO USB 7P FEMALE SMT 无定位柱 四脚 插板式		
ON.				APPD:	Vicky		
X.XXX	±0.05	±0.05	FINISH	CHKD:	Doris		
X.XX	±0.15	±0.13	Q'TY	DR:	deng		
X.X	±0.25	±0.25			DWG NO. ATOM-A00074		
X.		±0.38			SCALE SHEET REV		
ANGLE	±1°				1:1 1/1 A		