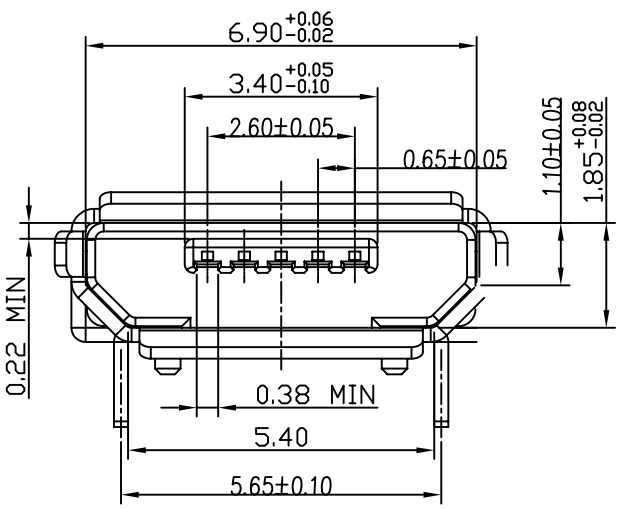
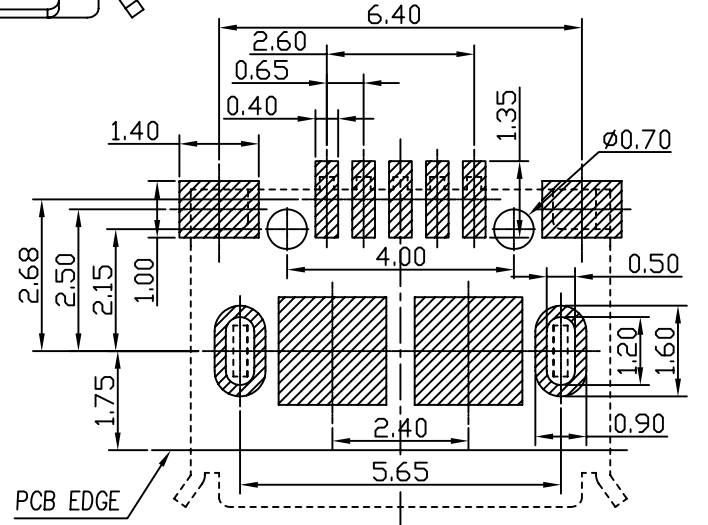
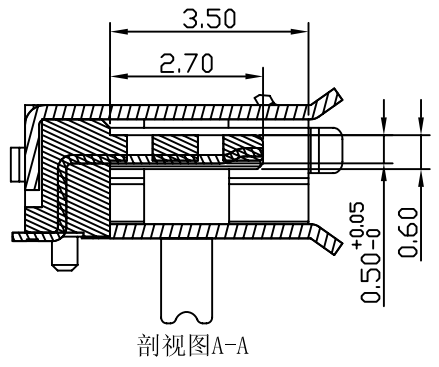
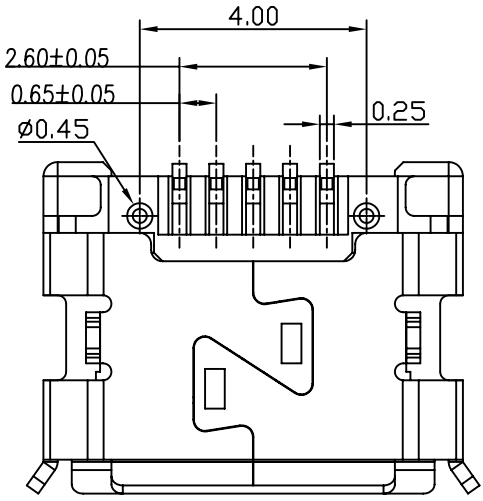
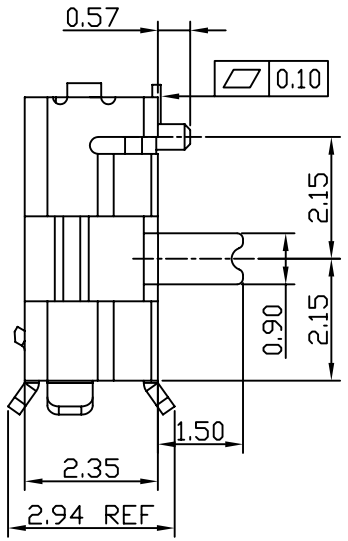
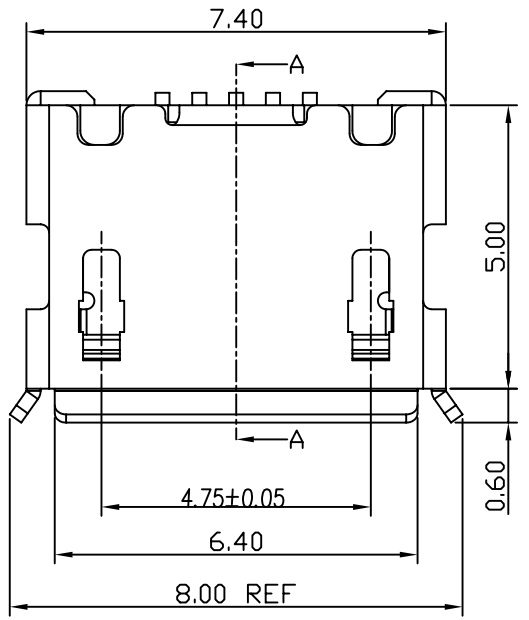


REV.	DATE	ECN NO.	MODIFICATION	APPROVER
A	2014/06/20	/	NEW	Vicky

- NOTE:
- Materials:
 - Housing: LCP UL94V-0;
 - Contact: C2680; Gold 1u" Plated, Nickel ground;
 - Shell: SUS, Matte SN 80u" plated;
 - Performance:
 - Current rating: 1A;
 - Contact resistance: 50mΩ MAX;
 - Insulation resistance: 100MΩ MIN 250V DC;
 - Withstand voltage: 250V AC;
 - Solderability:
 - Temperature 235±5°C, time 5±0.5s;
 - Retention force: 0.5kgf MIN;
 - Mating force: 3.57kgf MAX, Un-mating force: 1.00kgf MIN;
 - Life: 10000 cycles;
 - Resistance to heat: over test:
 - Temperature 250±5°C, time 2 minutes;
 - Operating temperature: -30°C~+80°C.



GENERAL TOLERANCE			UNITS	mm	NAME:	USB	ATOM® 深圳市爱特姆科技有限公司 SHENZHEN ATOM TECHNOLOGY CO., LTD.		
SELECT	✓		MAT'L		PART NO:	USB205FB-C1013209	TITLE: MICRO USB 5P/F SMT B TYPE 前插后贴 带定位柱 插脚中心尺寸5.65加长型		
ON.	TOL.	1 2 3			APPD:	Vicky	DWG NO.		
X.XXX	±0.05	±0.05	±0.15	FINISH	CHKD:	Doris	SCALE	SHEET	REV
X.XX	±0.15	±0.13	±0.25		DR:	deng			
X.X	±0.25	±0.25	±0.50	Q'TY					
X.			±0.38		±1.00				
ANGLE	±1°								