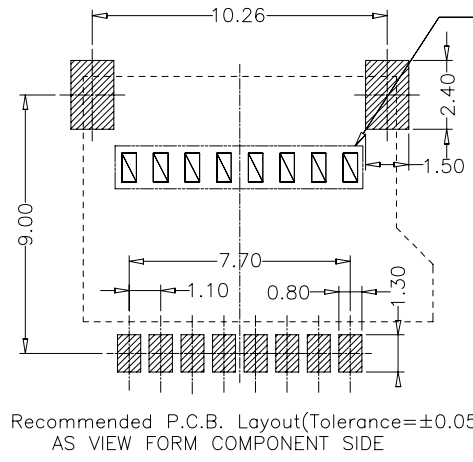
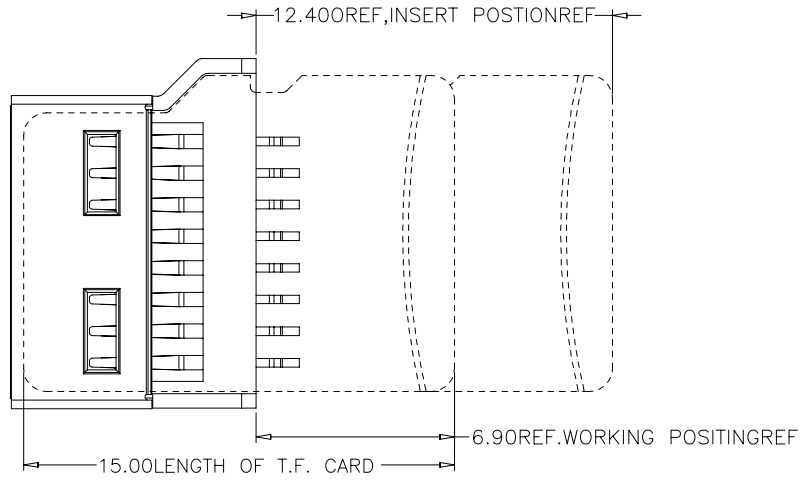
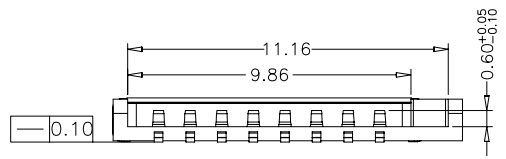
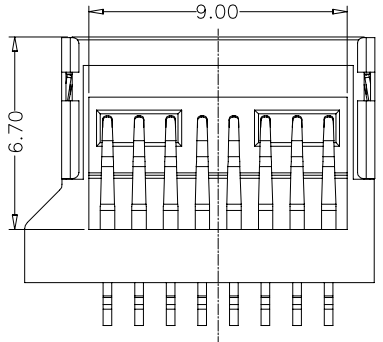
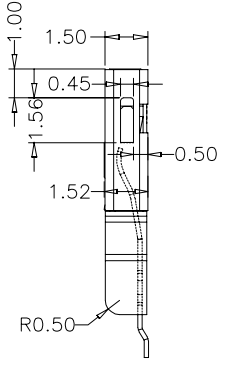
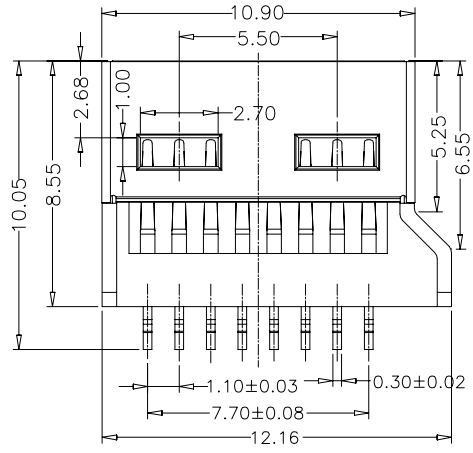


REV.	DATE	ECN NO.	MODIFICATION	APPROVER
A	2011/04/11	/	NEW	Vicky



注意：此方框内填充处为端子触点对应PCB位置，PCB此处建议不设置线路。

- Note:
- Materials:
 - Housing: LCP UL94V-0
 - Contact: phosphor bronze, nickel underplated 50u", Au plated 1u"
 - Shell: stainless steel, nickel underplated 50u", solder pin Au plated 1u"
 - Main features:
 - Rating current: 0.5A
 - Contact resistance: 50mΩ MAX
 - Insulation resistance: 1000MΩ MIN 100V DC
 - Withstand test: 100V AC
 - Solderability: Temperature 235±5°C, time 5±0.5s
 - Single pin positive stress force: 0.35kgf MAX
 - Life cycle: 5000times
 - Withstanding temperature: oven test: Temperature: 250°C±5°C time: 2 minute
 - Operating: Temperature: -30°C +80°C; Humidity: 80% MAX



GENERAL TOLERANCE			UNITS	NAME:	MICRO SD			深圳市爱特姆科技有限公司 SHENZHEN ATOM TECHNOLOGY CO., LTD.			
SELECT	✓		mm	PART NO:	MR20A-06200			TITLE: MICRO SD CARD 超薄简易型 无柱 H=1.5mm			
ON.	TOL.	1	2	3	APPD:	Vicky			DWG NO. ATOM-A02059		
X.XXX	±0.05	±0.05	±0.15		CHKD:	Emilia			SCALE SHEET REV 1:1 1/1 A		
X.XX	±0.15	±0.13	±0.25		DR:	Doris					
X.X	±0.25	±0.25	±0.50								
X.		±0.38	±1.00								
ANGLE	±1'										