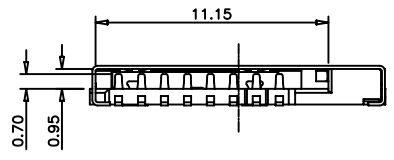
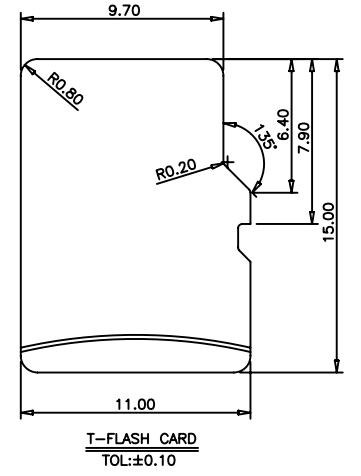
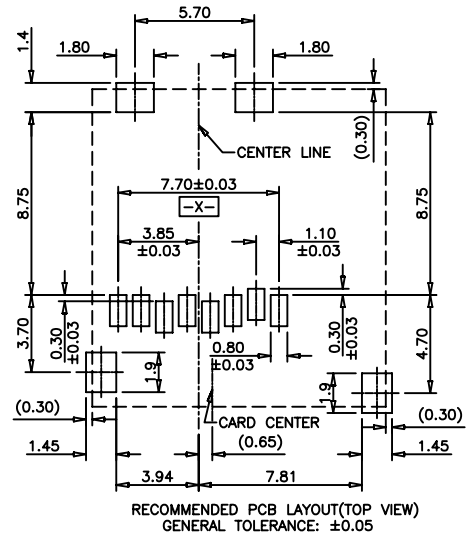
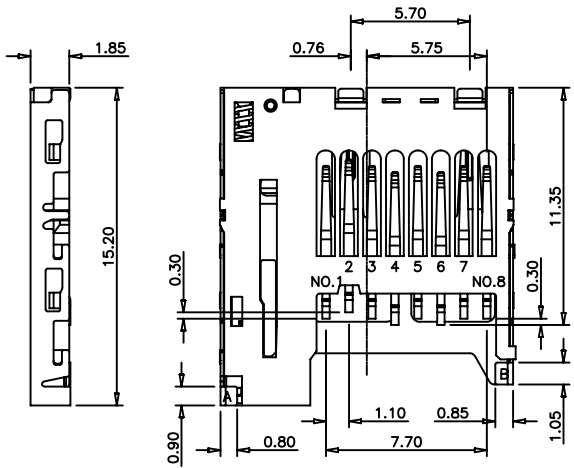
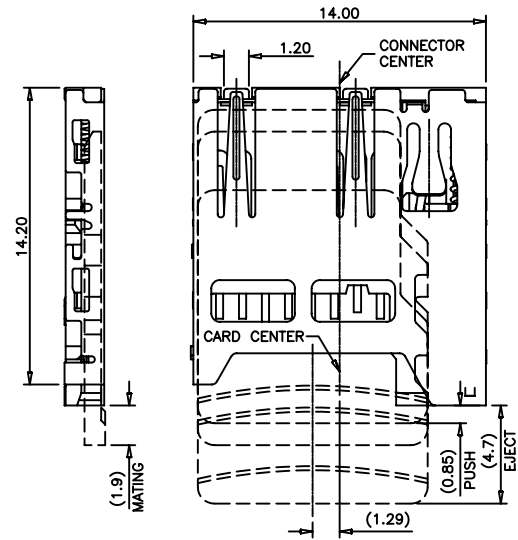
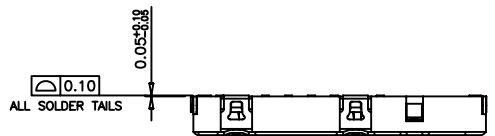


REV.	DATE	ECN NO.	MODIFICATION	APPROVER
A	2008/08/06	/	NEW	Vicky



- NOTES:
- CONTACT CURRENT RATING: 0.5A.
  - CONTACT RESISTANCE: 100 mΩ MAX.;
  - INSULATION RESISTANCE: 100MΩ MIN.;
  - DIELECTRIC WITHSTANDING: 500V AC MIN.;
  - DURABILITY: 5000 CYCLES MIN.;
  - PRODUCT MEET THE REQUEST OF THE RoHS, SEE TABLE A:

PIN NO.	NAME	TYPE	DESCRIPTION
1	DAT2	I/O/PP	DATE LINE(BIT2)
2	CD/ DAT3	I/O/PP	CARD DETECT/DATE LINE(BIT3)
3	CMD	PP	COMMAND RESPONSE
4	VDD	S	SUPPLY VOLTAGE
5	CLK	I	COLCK
6	VSS	S	SUPPLY VOLTAGE GROUND
7	DATO	I/O/PP	DATE LINE(BIT0)
8	DAT1	I/O/PP	DATE LINE(DIT1)

⑧	RETENTION CONTACT	1	STAINLESS STEEL,T=0.15mm	NO PLATED	
⑦	SPRING	1	STAINLESS STEEL,D=#0.20mm	50u" Ni	
⑥	SLIDER	1	THERMOPLASTIC	BLACK COLOR,UL94V-0	
⑤	CAM ROD	1	STAINLESS STEEL,D=#0.40mm	NO PLATED	
④	DATA CONTACT	8	COPPER ALLOY,T=0.15mm	15u" Au/50u" Ni/GOLD FLASH	
③	DETECTIVE CONTACT	1	COPPER ALLOY,T=0.15mm	GOLD FLASH/50u" Ni.	
②	SHELL	1	STAINLESS STEEL,T=0.15mm	GOLD FLASH/50u" Ni.	
①	HOUSING	1	THERMOPLASTIC	BLACK COLOR,UL94V-0	
ITFM	PART NAMF	Q'TY	MATFRTAL	DFSCRIPTION	RFMARK

GENERAL TOLERANCE	UNITS mm	NAME: 卡座	深圳市爱特姆科技有限公司 SHENZHEN ATOM TECHNOLOGY CO.,LTD.		
SELECT <input checked="" type="checkbox"/>		PART NO: MR04A-02201	TITLE: MICRO SD CARD PUSH-PUSH		
ON. TOL	1 2 3	APPD: MIKE	DWG NO. ATOM-A00030		
X.XXX	±0.10 ±0.05 ±0.15	CHKD: Vicky	SCALE SHEET REV 1:1 1/1 A		
X.XX	±0.15 ±0.13 ±0.25	DR: Hindy			
X.X	±0.20 ±0.25 ±0.50				
X.	±0.25 ±0.38 ±1.00				
ANGLE	±7°				