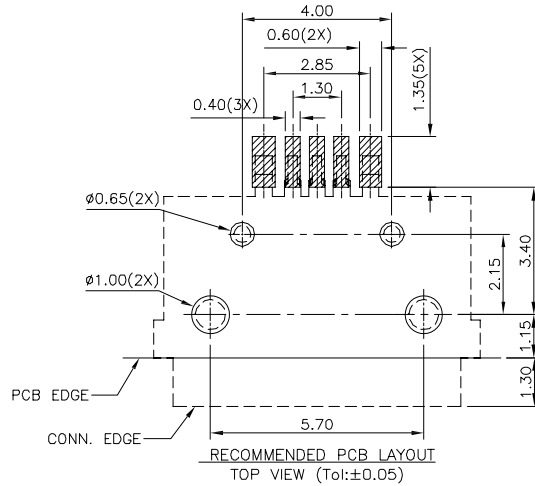
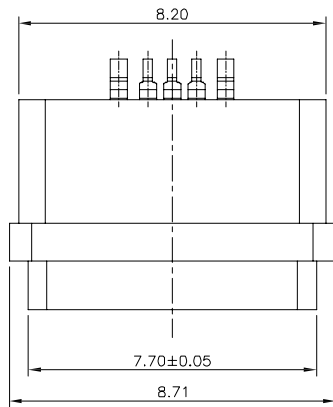
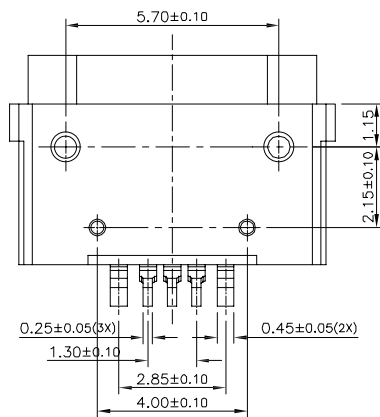
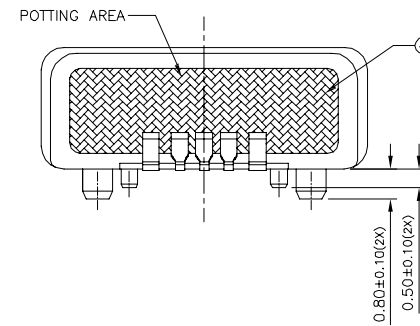
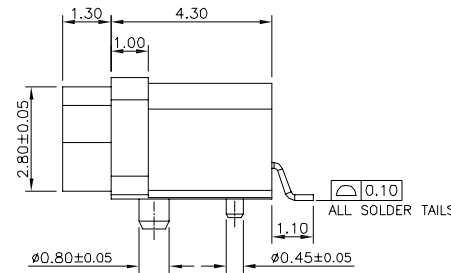
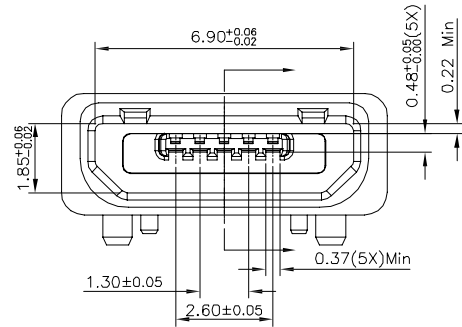


REV.	DATE	ECN NO.	MODIFICATION	APPROVER
A	2016/03/21	/	NEW	Vicky



NOTES:

- CONTACT CURRENT RATING: 1.0A(SIGNAL PIN2,3,4);2.0A(POWER PIN1,5).
- CONTACT RESISTANCE: 30mΩ MAX.;
- INSULATION RESISTANCE: 1000MΩ MIN.;
- DIELECTRIC WITHSTANDING: 100V AC MIN.;
- DURABILITY: 5,000 CYCLES MIN.;
- CONNECTOR MATING FORCES: 25N (2.55Kgf)MAX.;
- CONNECTOR UNMATING FORCES: 2~25N (0.20~2.55Kgf);



01	HOUSING	1 PCS	HIGH TEMPERATURE PLASTIC	BLACK COLOR, UL94V-0;
02	CONTACT A	1 PCS	COPPY ALLOY	Ni:40~160u";Au:CONTACT AREA:3u",SOLDER:1u",OTHER AREA:G/F
03	PLASTIC SHELL	1 PCS	HIGH TEMPERATURE PLASTIC	BLACK COLOR, UL94V-0;
04	GLUE	1 PCS	EPOXY RESIN	BLACK COLOR,
ITEM	PART NAME	Q'TY	MATERIAL	DESCRIPTION

GENERAL TOLERANCE		UNITS	mm	NAME:	MICRO USB	深圳市爱特姆科技有限公司 SHENZHEN ATOM TECHNOLOGY CO., LTD.		
SELECT	✓			PART NO:	USB205FB-C1005206	TITLE: MICRO USB 5P FEMALE SMT B TYPE 带定位柱 防水型		
TOL.	1	2	3	APPD:	Vicky	DWG NO. ATOM-A02999		
ON.	1	2	3	CHKD:	Doris	SCALE SHEET REV 1:1 1/1 A		
X.XXX	±0.10	±0.05	±0.15	DR:	Jillian			
X.XX	±0.15	±0.13	±0.25					
X.X	±0.20	±0.25	±0.50					
X.	±0.30	±0.38	±1.00					
ANGLE	±2'							