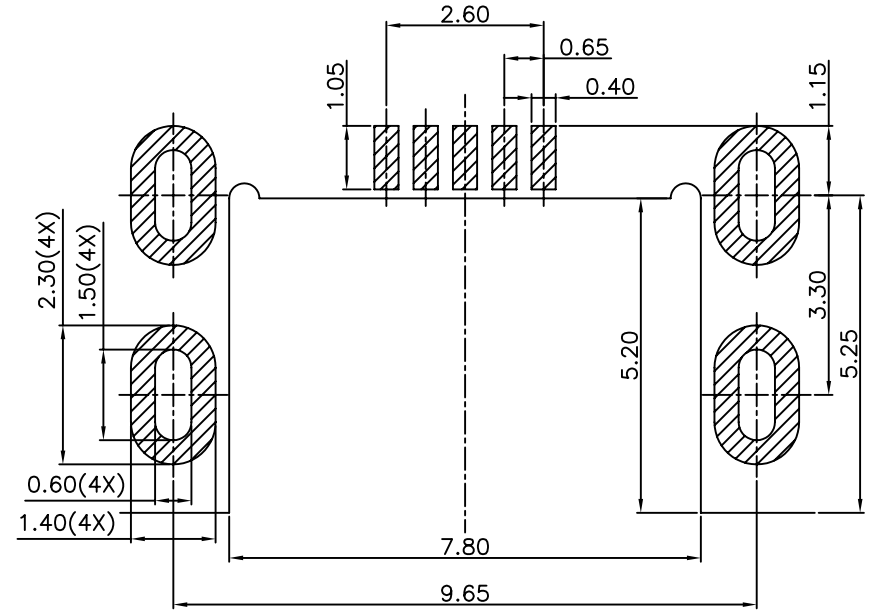
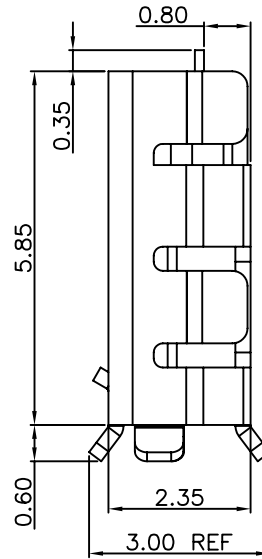
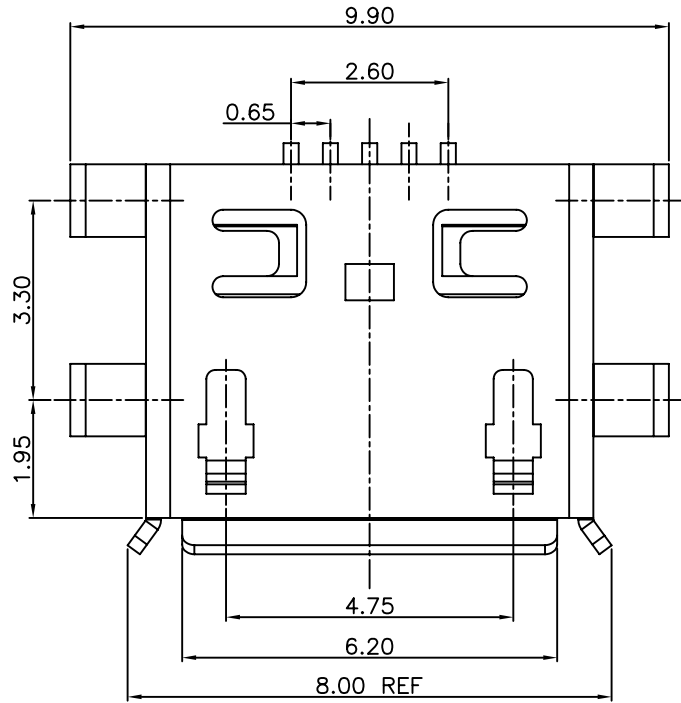
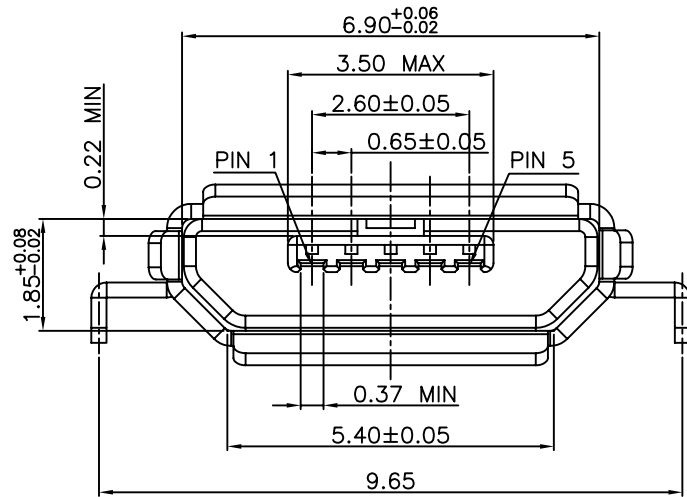


REV.	DATE	ECN NO.	MODIFICATION	APPROVER
A	2013/07/03	/	NEW	Vicky



RECOMMEND P.C.B LAYOUT
GENERAL TOLERANCE ±0.05



NOTE:

1. MATERIAL:
 - 1.1 Housing: LCP UL94V-0;
 - 1.2 Terminal: Copper Alloy, Semi Gold and Tin, Au 1U" plated on contact, matte Tin plated 80u";
 - 1.3 Shell: SUS, Matte Tin plating 100u" on surface;
2. MAIN FEATURES:
 - 2.1 Rating current: 1A;
 - 2.2 Contact resistance: 50mΩ MAX;
 - 2.3 Insulation resistance: 100MΩ MIN 100V DC;
 - 2.4 Withstanding voltage test: 100V AC;
 - 2.5 solderability: Temperature 235±5℃, time 5±0.5s;
 - 2.6 Pin retention force: 0.5kgf MIN;
 - 2.7 Overall insertion force: 3.57kgf MAX Overall extraction force: 1.00kgf MIN;
 - 2.8 Life cycle: 5000 cycles
 - 2.9 Resistance to temperature:
 - 2.9.1 Oven test: Temperature: 250±5℃, time 2 mins;
 - 2.9.2 Operating temperature: -30℃~+80℃.

GENERAL TOLERANCE			UNITS	mm	NAME:	USB	深圳市爱特姆科技有限公司 SHENZHEN ATOM TECHNOLOGY CO., LTD.	
SELECT	✓		MAT'L		PART NO:	USB205FB-C1035200		TITLE: MICRO USB 5P FEMALE SMT B TYPE 短体有卷边 沉板0.8 四脚全插
ON.	TOL.	1 2 3	FINISH		APPD:	Vicky	DWG NO.	ATOM-A02260
X.XXX	±0.05	±0.05 ±0.15	Q'TY		CHKD:	Doris	SCALE SHEET REV 1:1 1/1 A	
X.XX	±0.15	±0.13 ±0.25			DR:	deng		
X.X	±0.25	±0.25 ±0.50						
X.		±0.38 ±1.00						
ANGLE	±1'							