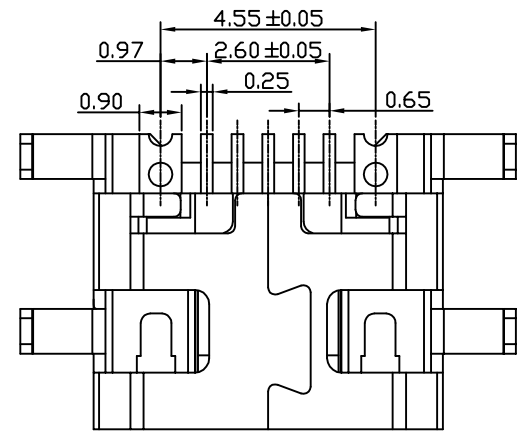
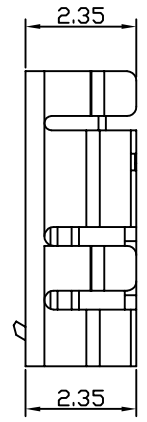
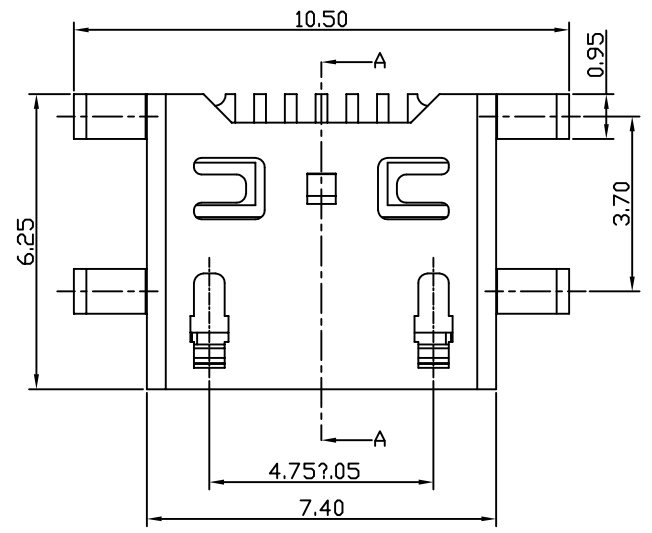
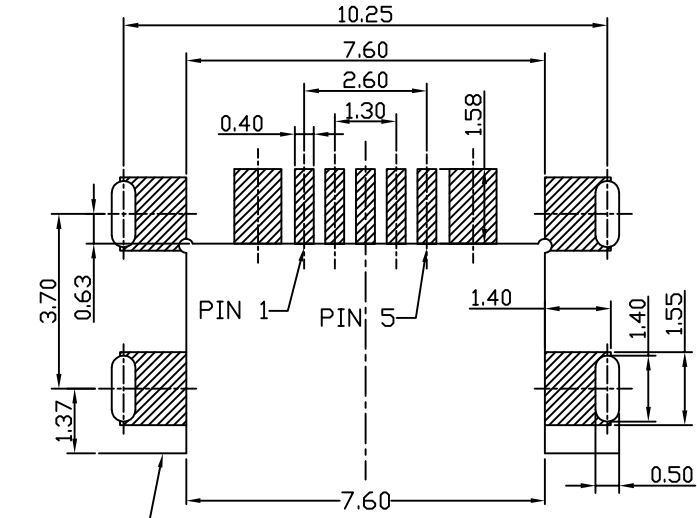
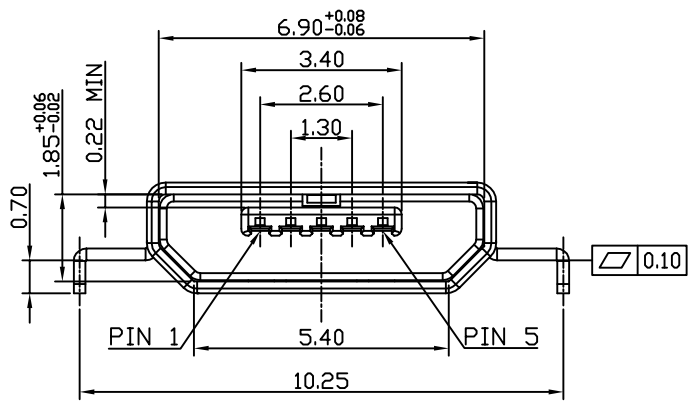


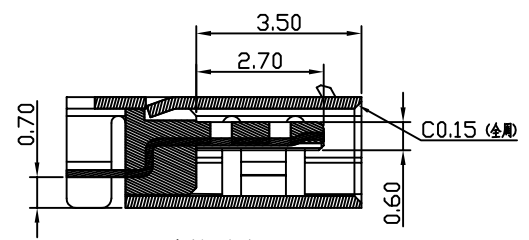
REV.	DATE	ECN NO.	MODIFICATION	APPROVER
A	2013/10/28	/	NEW	Vicky



- NOTE:**
- MATERIAL:**
 - Housing: LCP UL94V-0;
 - Terminal: Copper Alloy, All Gold plated
 - Shell: SUS, Matte Tin plating 100u" on surface;
 - MAIN FEATURES:**
 - Rating current: 1A;
 - Contact resistance: 50mΩ MAX;
 - Insulation resistance: 100MΩ MIN 100V DC;
 - Withstanding voltage test: 100V AC;
 - solderability: Temperature 235±5°C, time 5±0.5s;
 - Pin retention force: 0.5kgf MIN;
 - Overall insertion force: 3.57kgf MAX
Overall extraction force: 1.00kgf MIN;
 - Life cycle: 5000 cycles
 - Resistance to temperature:
Oven test: Temperature: 250±5°C, time 2 mins;
 - Operating temperature: -30°C~+80°C.



RECOMMENDED PCB LAYOUT
PCB所有尺寸公差: ±0.05



剖视图A-A

GENERAL TOLERANCE			UNITS	mm	NAME:	USB	ATOM [®] 深圳市爱特姆科技有限公司 SHENZHEN ATOM TECHNOLOGY CO., LTD.			
SELECT	✓		MAT'L	FINISH	PART NO:	USB205FB-C1026204	TITLE: MICRO USB 5P FEMALE SMT B TYPE 沉板0.7 外壳DIP 带接地片 无翻边			
TOL.	1	2			3	APPD:	Vicky	DWG NO. ATOM-A02050		
ON.	X.XXX	±0.05	±0.05	±0.15	CHKD:	Emilia		SCALE	SHEET	REV
	X.XX	±0.15	±0.13	±0.25	DR:	Linda		1:1	1/1	A
	X.X	±0.25	±0.25	±0.50						
	X.		±0.38	±1.00						
	ANGLE	±1'								