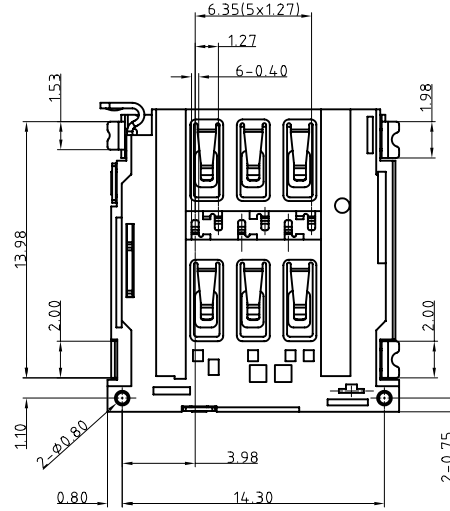
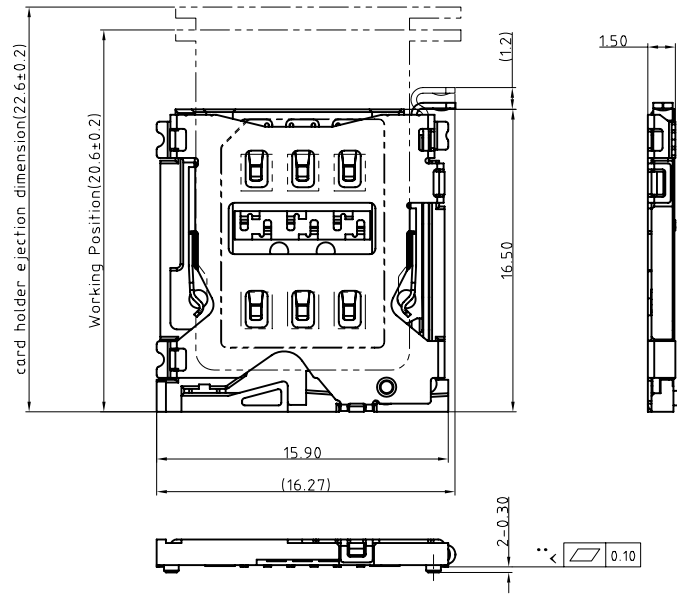
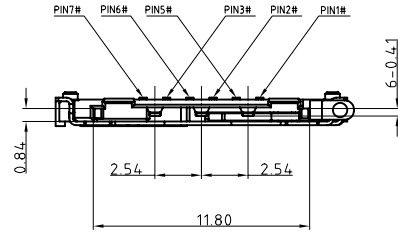
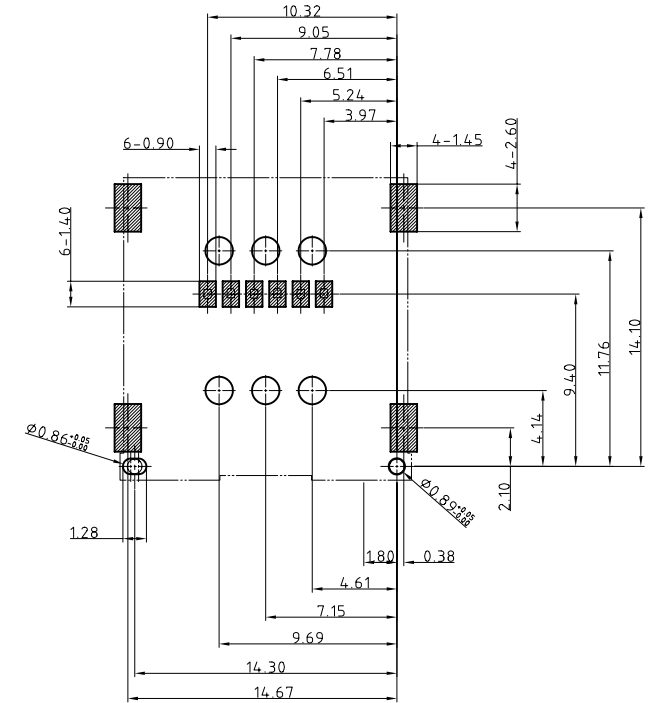


5	6	7	8
REV.	DATE	ECN NO.	MODIFICATION
A	2015/12/15	/	NEW
			APPROVER
			Vicky




PIN 1#	VCC
PIN 2#	RST
PIN 3#	CLK
PIN 5#	GND
PIN 6#	VPP
PIN 7#	I/O



NOTES:

- ELECTRICAL CHARACTERISTICS:
 - CURRENT RATING: 1 Amp/PIN. MAX.
 - VOLTAGE: 30V DC. MAX.
 - LOW LEVEL CONTACT RESISTANCE: 30 mOhms MAX. INITIALLY.
 - DIELECTRIC WITHSTANDING VOLTAGE: 500V AC MIN. FOR 1 MINUTE.
 - INSULATION RESISTANCE: 100MOhms MIN.(DC 500V FOR 1 MINUTE)
- MECHANICAL CHARACTERISTICS:
 - DURABILITY: 1500 CYCLES.
 - OPERATING FORCE (INSERTING & WITHDRAWAL): 1N-10N.
- ENVIRONMENTAL CHARACTERISTICS:
 - OPERATING TEMP. RANGE: -25°C TO 85°C. (INCLUDING TERMINAL TEMP. RISE)
 - STORAGE TEMP.: -40°C TO 85°C.
- QUANTITY OF PRODUCTS: 1000PCS/REEL.

5	LEVER	1	SUS,
4	CAM	1	SUS,
3	SHELL	1	SUS, GOLD PLATING
2	HOUSING	1	LCP,BLACK
1	CONTACT	1	BRONZE ALLOY, GOLD PLATING
ITEM	PART NAME	Q'TY	DESCRIPTION

GENERAL TOLERANCE				UNITS mm		NAME: NANO SIM		ATOM® 深圳市爱特姆科技有限公司 SHENZHEN ATOM TECHNOLOGY CO.,LTD.			
SELECT	✓			MAT'L		PART NO: SI45C-08200		TITLE: NANO SIM CARD 6P SMT H=1.5mm			
TOL. ON.	1	2	3								
X.XXX			±0.05	±0.15	FINISH	APPD: Vicky		DWG NO. ATOM-A02882			
X.XX	±0.13	±0.13	±0.25	CHKD: Doris							
X.X	±0.15	±0.25	±0.50	Q'TY							
X.	±0.20	±0.38	±1.00		DR: Jillian				SCALE	SHEET	REV
ANGLE	±2'								1:1	1/1	A