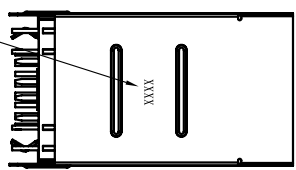
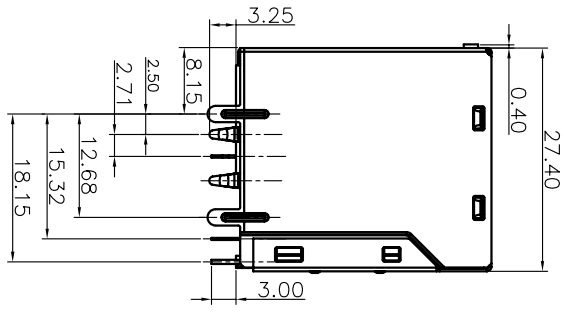
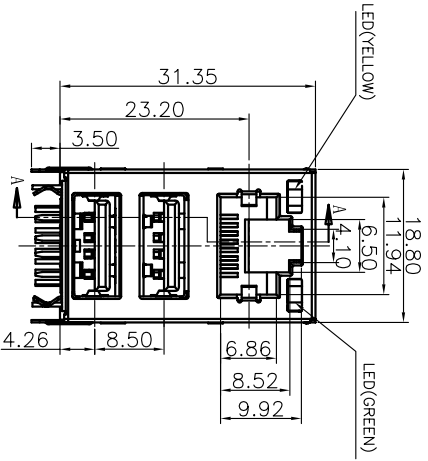
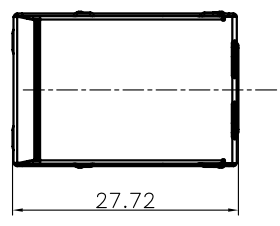
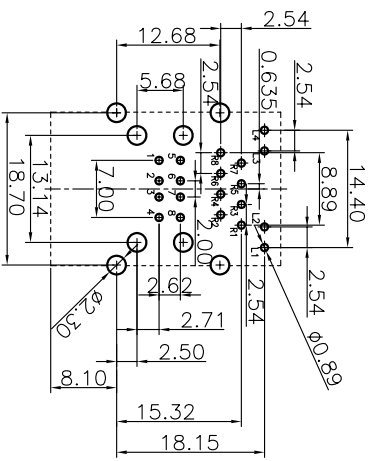


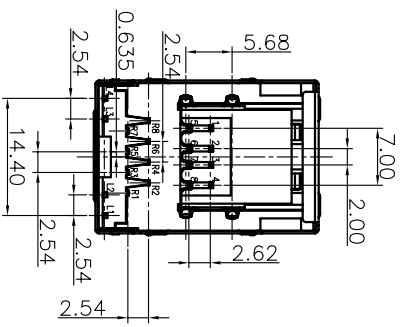
REV.	ECH. NO.	APPD.
A	/	pcy



SECTION A-A



PCB LAYOUT



NOTES:

- MATERIAL:
 - Housing:thermoplastic plastics
 - terminads:Copper Alloy
 - Gold plated in contact area: OR Gold Plated overall
 - Shell:Steel&Copper Alloy
- ELECTRICAL CHARACTERISTICS:
 - Rating Current :1.5 Ampere
 - Rating Voltage :125 V Max
 - Contact Resistance:50 Milli ohms
 - Insulation Resistance:500 Mega ohms Min.
- MECHANICAL CHARACTERISTICS:
 - Connector Mating force: 2.27kgf MAX
 - Durability:750Cycles.
- ENVIRONMENT CHARACTERISTICS:
 - Operating temperature:-40°C to +85°C
 - Storage temperature:-10°C to +40°C

R570-311X0-XXXXXR

- LED COLOUR
- 0:Without,
 - 1:Green/Yellow
 - 2:Yellow/Green
 - 6:Yellow/Green Orange
- 1:Au 1u", 3:Au 3u"
5:Au 5u", 8:Au 15u"
A:Au 30u", B:Au 50u"
- 1:tray
 - 8:top&Reel
 - 1:Black
 - 4:Yellow 107C
 - T:Yellow 114C
 - P:Blue 285C
 - 2:PBT
 - 3:PA46
 - 5:PA9T
 - 6:LCPC

XXXXX
年(08)
月(11)
表示:2011年8月
例:
11 08

TOLERANCE UNLESS OTHERWISE SPECIFIED		OTHERWISE SPECIFIED	
XXX ±0.10	X' ±3	XX ±0.20	X' ±2
X ±0.30	X' ±2	X ±0.30	X' ±2
APPROVED		PART NAME:	R145+双层USB+LED 带周期
CHECKED		PART No:	R570-311X0-XXXXXR
DRAWN	pengchaocong	PROJECTION:	UNIT: mm
DATE	2015.05.26	SCALE	1:1
		SHEET	10F1
		REV.	A

HW 深圳市华联威电子科技有限公司

HUA LIAN WEI TECHNOLOGY ELECTRONICS CO.,LTD.