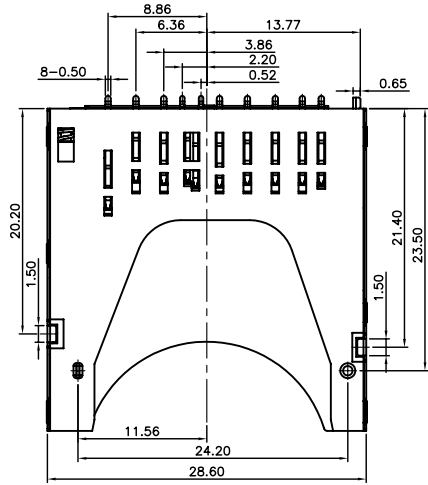
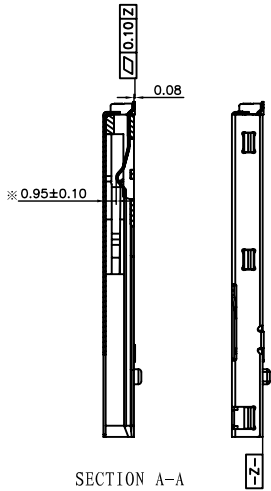
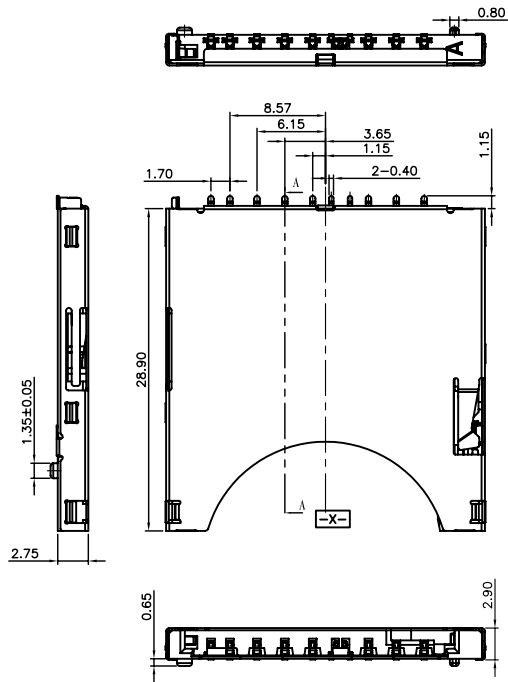


REV	DATE	ECN NO.	MODIFICATION	APPROVER
C	2011/05/09	RD00311050901	增加产品电镀规格, 详见"ⓐ"处	HYQ
D	2012/04/20	RD00312042001	依实物修改图面尺寸, 详见"ⓑ"处	Jason
E	2013/10/11	RD00313101101	依实物修改图面尺寸, 详见"ⓒ"处	Jason

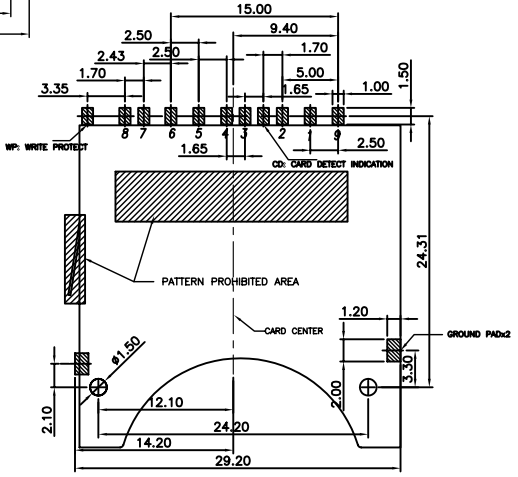
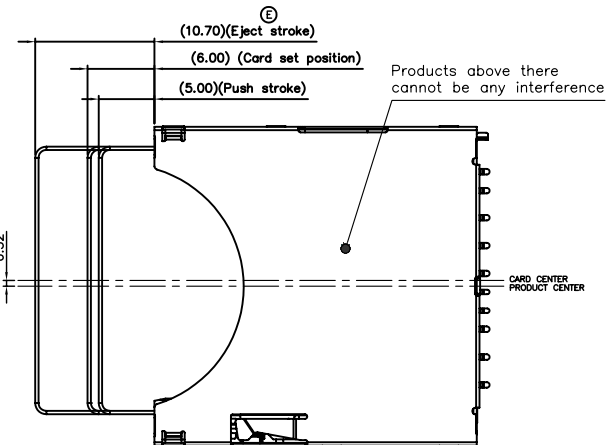
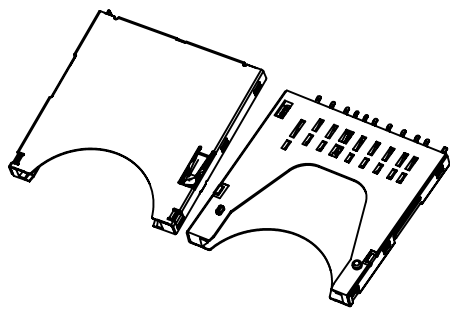


**SPECIFICATION**

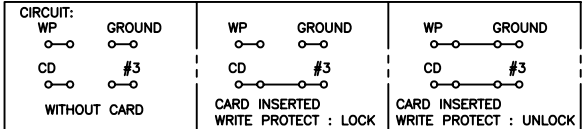
**1. Material:**  
 Insulator: LCP, rated UL94V-0, color: black.  
 Contacts: Phosphor Bronze, Tin 160u" at Solder Tail, Selected Gold on Contact Area Plating.  
 WP Contact: Phosphor Bronze, Tin 160u" at Solder Tail, Selected Gold on Contact Area Plating.  
 Shell: Stainless. Pickling

**2. Electrical Characteristics:**  
 Operating voltage : 100V AC(rms)/DC.  
 Current rating : 0.5 A.  
 Operating Temperature: -25°C~+90°C.  
 Insulation resistance: 1000M ohms min. at 250VDC  
 Dielectric withstanding voltage: 500 VAC/1minute.  
 Contact resistance: 100m ohms max.  
 Mating cycle: 10000 cycles at the speed rate of 400-600 cycles/h; Without distortion of plastic and serious wear and tear in terminal, No signal break.

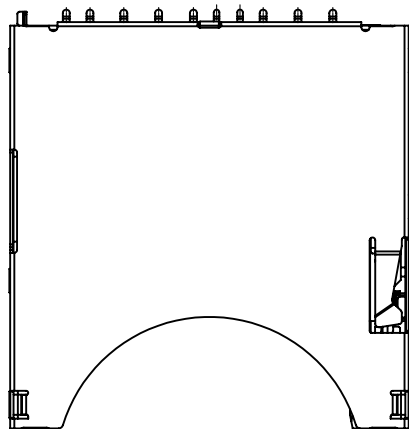
**3. Product special future symbol: "※".**



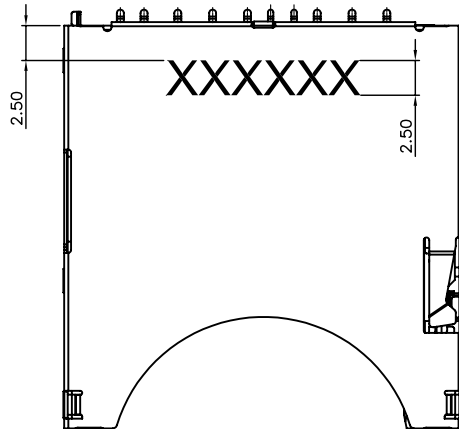
Pin No.	SD	MMC
P1	MMC-DAT3 SD-CD/DAT3	1P 1P
P2	MMC-CMD SD-CMD	2P 2P
P3	MMC-VSS1 SD-VSS1	3P 3P
P4	MMC-VDD SD-VDD	4P 4P
P5	MMC-CLK SD-CLK	5P 5P
P6	MMC-VSS2 SD-VSS2	6P 6P
P7	MMC-DAT0 SD-DAT0	7P 7P
P8	SD-DAT1	8P
P9	SD-DAT2	9P



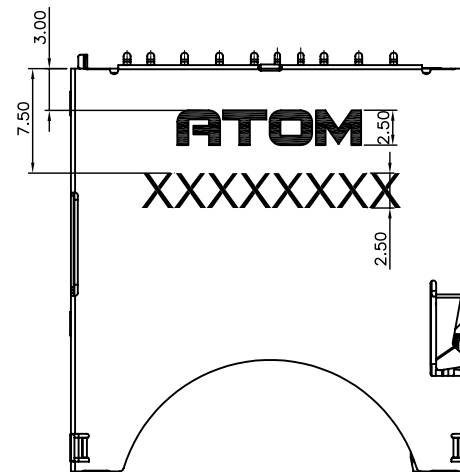
GENERAL TOLERANCE <table border="1"> <thead> <tr> <th>SELECT</th> <th>TOL</th> <th>1</th> <th>2</th> <th>3</th> </tr> </thead> <tbody> <tr> <td>ON.</td> <td></td> <td>✓</td> <td></td> <td></td> </tr> <tr> <td>X.XXX</td> <td>±0.10</td> <td>±0.05</td> <td>±0.15</td> <td></td> </tr> <tr> <td>X.XX</td> <td>±0.15</td> <td>±0.13</td> <td>±0.25</td> <td></td> </tr> <tr> <td>X.X</td> <td>±0.20</td> <td>±0.25</td> <td>±0.5</td> <td></td> </tr> <tr> <td>X.</td> <td>±0.30</td> <td>±0.35</td> <td>±1.00</td> <td></td> </tr> <tr> <td>ANGLE</td> <td>±2'</td> <td></td> <td></td> <td></td> </tr> </tbody> </table>	SELECT	TOL	1	2	3	ON.		✓			X.XXX	±0.10	±0.05	±0.15		X.XX	±0.15	±0.13	±0.25		X.X	±0.20	±0.25	±0.5		X.	±0.30	±0.35	±1.00		ANGLE	±2'				UNITS mm MAT'L FINISH Q'TY	NAME: SD PUSH PUSH conn. PART NO: SD01A-01*** APPD: Jason CHKD: Vicky DR: Aimee	<b>ATOM</b> 深圳市爱特姆科技有限公司 SHENZHEN ATOM TECHNOLOGY CO., LTD. TITLE: SD PUSH PUSH conn.(post ø1.35) DWG NO. ATOM-A01458
	SELECT	TOL	1	2	3																																	
	ON.		✓																																			
	X.XXX	±0.10	±0.05	±0.15																																		
	X.XX	±0.15	±0.13	±0.25																																		
X.X	±0.20	±0.25	±0.5																																			
X.	±0.30	±0.35	±1.00																																			
ANGLE	±2'																																					
<table border="1"> <thead> <tr> <th>SCALE</th> <th>SHEET</th> <th>REV</th> </tr> </thead> <tbody> <tr> <td>1:1</td> <td>1/2</td> <td>E</td> </tr> </tbody> </table>		SCALE	SHEET	REV	1:1	1/2	E																															
SCALE	SHEET	REV																																				
1:1	1/2	E																																				



第一种:外壳无喷码



第二种:外壳有喷码 (年月日)



第三种:外壳有喷码 (ATOM+年月日)

NOTES:1.XXXXXX:Year Month Day, e.g. May 4th, 2010,  
jet printing 100504  
2.XXXXXXXXX:Year Month Day, e.g. May 4th, 2010,  
jet printing 20100504

GENERAL TOLERANCE				UNITS	NAME:		深圳市爱特姆科技有限公司 SHENZHEN ATOM TECHNOLOGY CO., LTD.			
SELECT	TOL.	1	2	3	mm	SD PUSH PUSH conn.				
ON.		<input checked="" type="checkbox"/>	<input type="checkbox"/>	<input type="checkbox"/>	MAT'L	PART NO:		TITLE:		
X.XXX		$\pm 0.10$	$\pm 0.05$	$\pm 0.15$		SD01A-01***		SD PUSH PUSH conn.(post $\phi 1.35$ )		
X.XX		$\pm 0.15$	$\pm 0.13$	$\pm 0.25$	FINISH	APPD: Jason		DWG NO. ATOM-A01458		
X.X		$\pm 0.20$	$\pm 0.25$	$\pm 0.5$	Q'TY	CHKD: Vicky		SCALE SHEET REV		
X.		$\pm 0.30$	$\pm 0.35$	$\pm 1.00$		DR: Aimee				
ANGLE		$\pm 2'$						1:1 2/2 E		