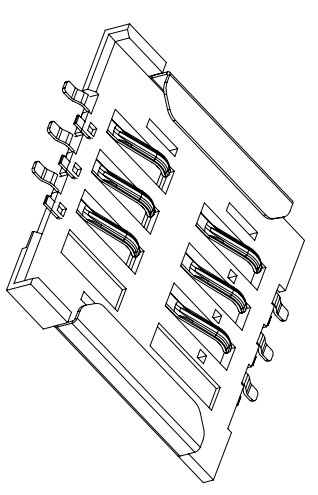
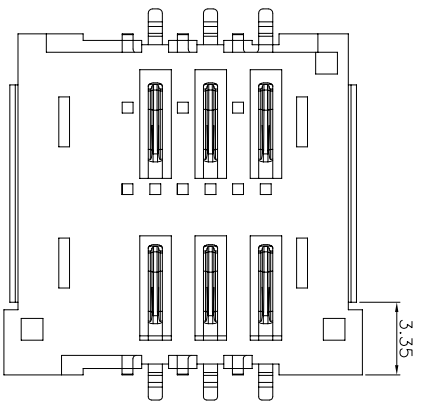
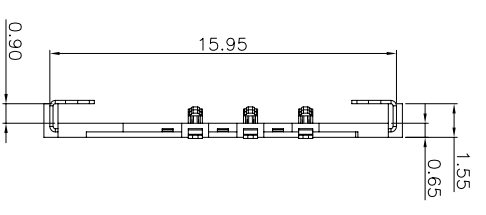
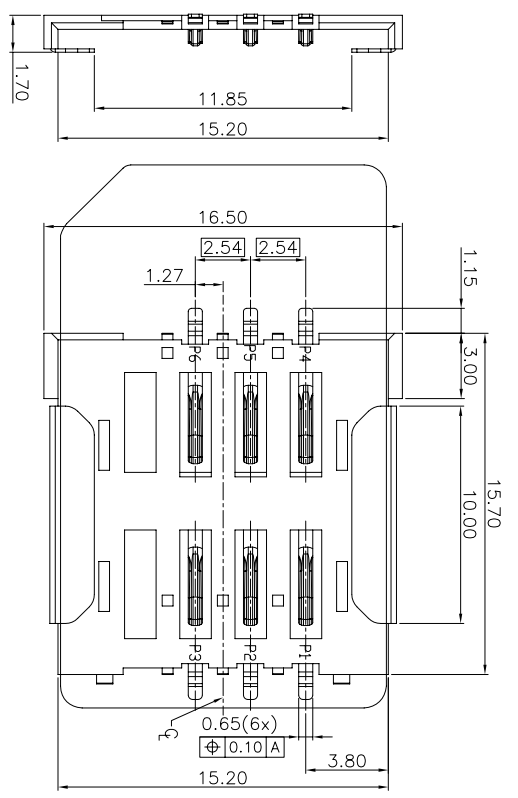
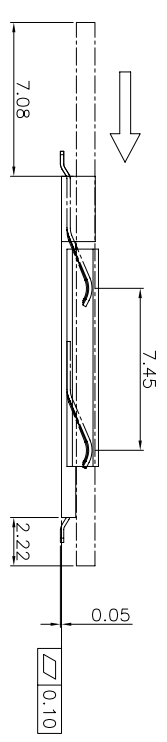


REV	DATE	MODIFICATION	APPROVER
A	13/10/29	NEW	Jason Lee



SIM CARD INSERTION DIRECTION

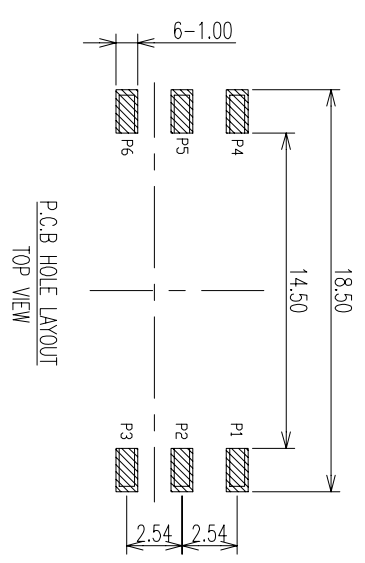


PIN ASSIGNMENTS

Connector terminal NO.	Pin NO.
Pin 1	VCC
Pin 2	RST
Pin 3	CLK
Pin 4	GND
Pin 5	VPP
Pin 6	I/D

SPECIFICATION

- Material:
 - Housing: HIGH TEMPERATURE PLASTIC, UL94V-0,color:black.
 - Contacts: Phosphor Bronze, Gold plated over nickel.
 - Shell: Stainless. Pickling
- Electrical Characteristics:
 - Operating voltage : 50V AC(rms)/DC.
 - Current rating : 0.5 A.
 - Operating Temperature: -20°C~+80°C.
 - Insulation resistance: 100MΩ min.
 - Dielectric withstanding voltage:500V AC/1minute.
 - Contact resistance: 50mΩ max.
- Mechanical characteristics
 - 3.1 Mating/Unmating forces:10N (1.02kgf) max.
 - 3.2 Contact normal forces:80gf min.
 - 3.3 Durability: 5,000 cycles.



P.C.B HOLE LAYOUT
TOP VIEW

GENERAL TOLERANCE		UNITS mm		NAME: SIM CARD		TITLE: SIM CARD 2.54mm 6P H=1.69mm	
SELECT	TOL.	MAT'L	FINISH	PART NO:	APPD:	DWG NO.	SCALE
✓	1 2 3		G'TY	S116C-08***	Jason	ATOM-A01972	1:1
DN	1 2 3						SHEET
XXXX	+0.10+0.05+0.15						1/1
XXXX	+0.15+0.13+0.25						REV
XXXX	+0.20+0.25 +0.5						A
X	+0.30+0.38+1.00			CHKD: Vicky			
ANGLE	±2°			DR: XH			

ATOM 深圳市爱特姆科技有限公司
SHENZHEN ATOM TECHNOLOGY CO., LTD.