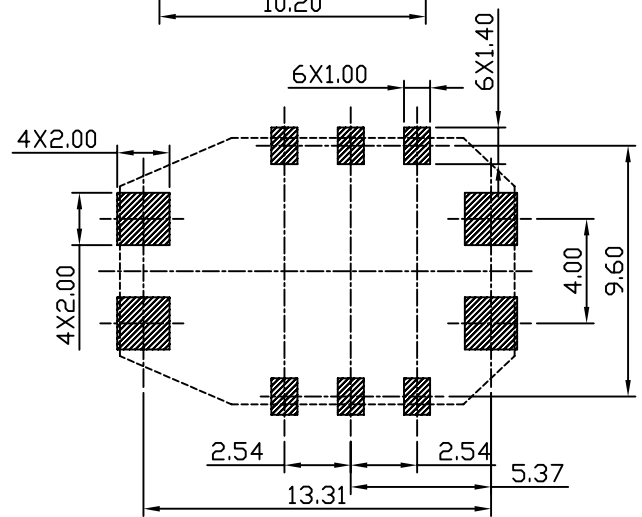
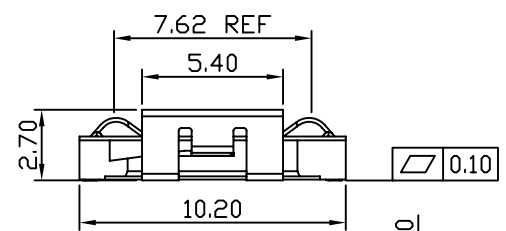
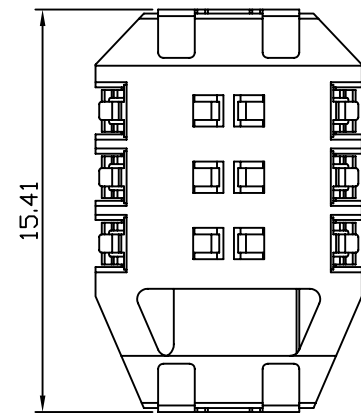
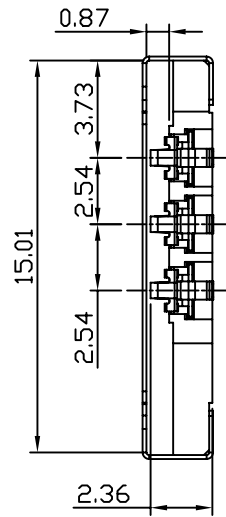
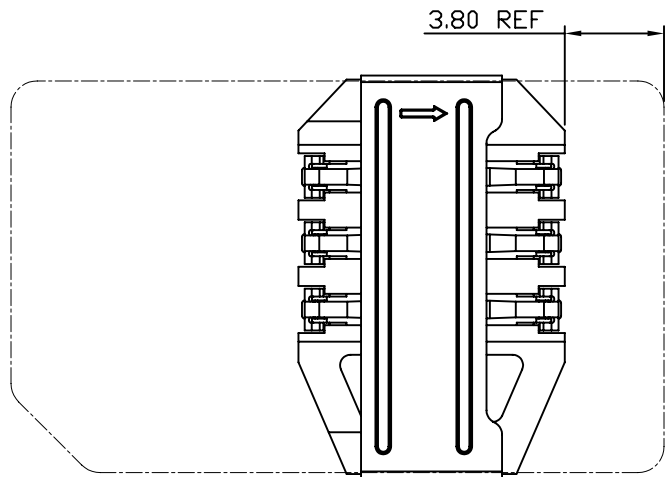


REV.	DATE	ECN NO.	MODIFICATION	APPROVER
A	2011/09/22	/	NEW	Vicky
B	2013/07/24	RD00313072401	优化端子结构	Vicky



Recommended PCB Layout  
(PCB所有尺寸公差为±0.05)

**Material:**  
 1.Housing: LCP UL94V-0  
 2.Terminal: Phosphor Bronze,Nickle underplated 80μ", Gold plated 1μ"and gold contact plated 15u"  
 3.Ground strap: SUS,Nickle underplated 50μ", Grounding strip gold plated 1μ"

**Main Performance:**  
 1.Rated voltage: 15V AC/DC/Max  
 2.Rated current:1A  
 3.Contact resistance: 30mΩ MAX  
 4.Insulation resistance: 1000MΩ MIN  
 5.Voltage withstanding test: 1000V AC/minutes  
 6.Solderability: temperature 235±5℃, time 5±0.5s  
 7.Single pin positive force: 45gf Min.  
 8.Contact points positive stress: 0.5N±0.2N  
 9.Life cycle: 5000 times  
 10.Resistance to high temperature: oven test: temperature 250±5℃, time: 2 minutes

**Operating environment:**  
 temperature: -55℃~+125℃; humidity: 80% MAX

GENERAL TOLERANCE				UNITS	NAME:	ATOM® 深圳市爱特姆科技有限公司 SHENZHEN ATOM TECHNOLOGY CO.,LTD.		
SELECT	✓			mm	SIM CARD			
ON.	TOL.	1	2	3	PART NO:	TITLE: SIM CARD 2.54mm 6P H=2.7mm 菱形		
X.XXX	±0.05	±0.05	±0.15		SI07C-13200			
X.XX	±0.10	±0.13	±0.25		FINISH	APPD:	Vicky	DWG NO.
X.X	±0.15	±0.25	±0.50			CHKD:	Emilia	ATOM-A00273
X.		±0.38	±1.00		Q'TY	DR:	Linda	
ANGLE	±1°							
								SHEET
								REV
								B