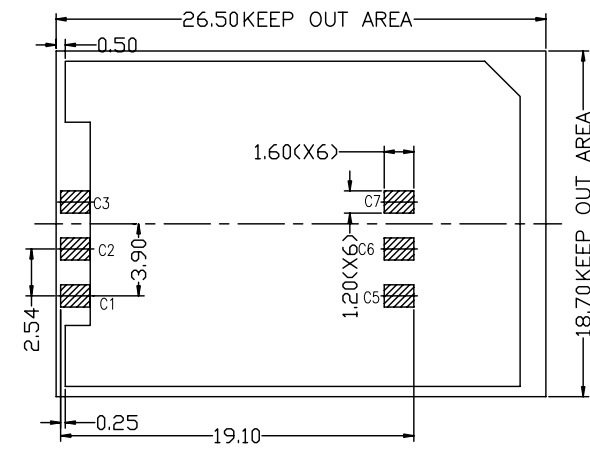
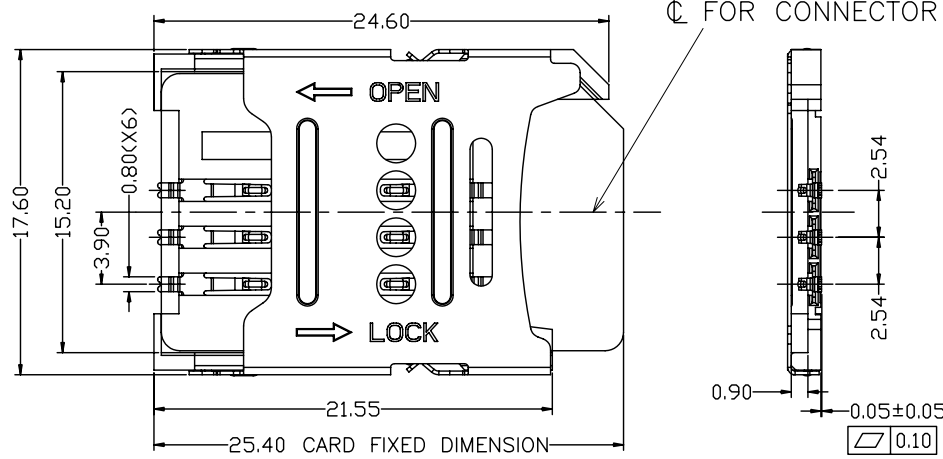
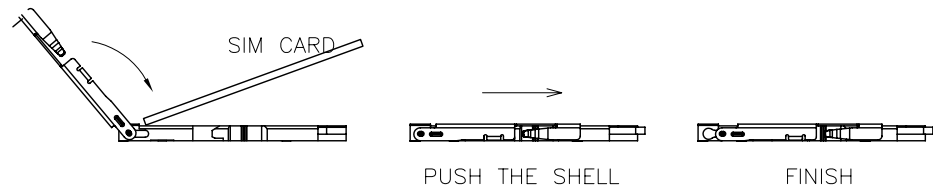
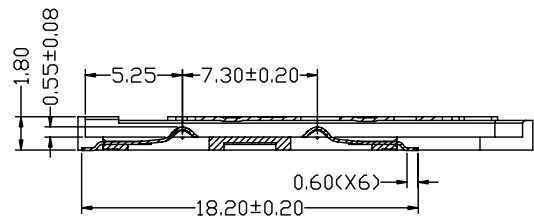


REV.	DATE	ECN NO.	MODIFICATION	APPROVER
A	2015/08/07	/	NEW	Vicky



RECOMMENDED P.C.BOARD LAYOUT (TOP VIEW)  
TOLERANCES UNLESS OTHERWISE SPEC.±0.05  
PAD AREA



- NOTES:
- MATERIAL:
    - Housing: HI-TEMP Plastic, UL94V-0, Black;
    - Terminal: Copper alloy
    - Shell: Stainless Steel
  - FINISH:
    - Terminal:
      - Au Plated on the contact area, Matte tin plated on the solder tails underplated over nickel;
    - shell: Plated Au On The Solder Area.
  - Electrical Performance:
    - Contact Resistance: 50mΩ Max
    - Dielectric Withstanding Voltage: 350V AC rms for 1 minut
    - Insulation Resistance: 1000MΩ Min
  - Mechanical Performance:
    - Durability: 3000 cycles;

GENERAL TOLERANCE		UNITS	mm	NAME:	SIM CARD		
SELECT	✓			MAT'L	PART NO:	TITLE: SIM CARD 2.5mm 6P H=1.8mm 掀盖式	
TOL.	1	2	3		SI46C-03201		
ON.				FINISH	APPD:	Jason	DWG NO.
X.XXX		±0.05	±0.15		CHKD:	Vicky	ATOM-A03665
X.XX	±0.20	±0.13	±0.25		DR:	Jillian	SCALE
X.X	±0.30	±0.25	±0.50	Q'TY			SHEET
X.	±0.50	±0.38	±1.00				REV
ANGLE	±2'						1:1
							1/1
							A

