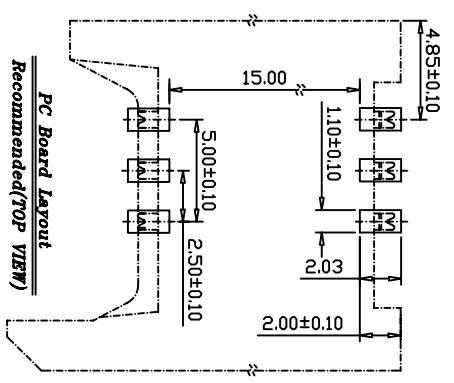
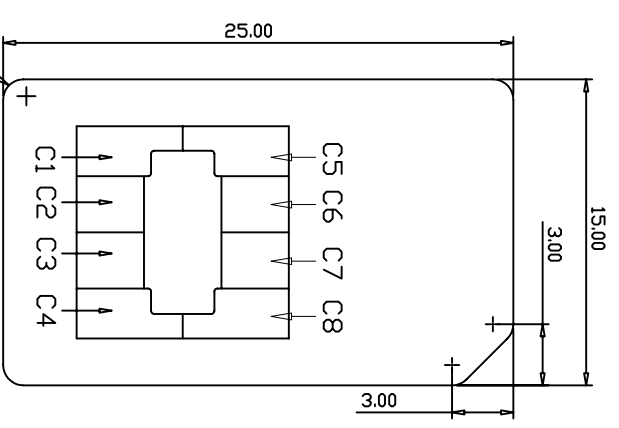
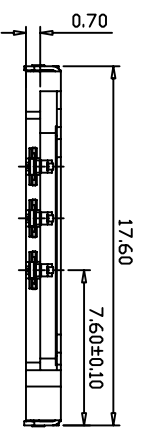
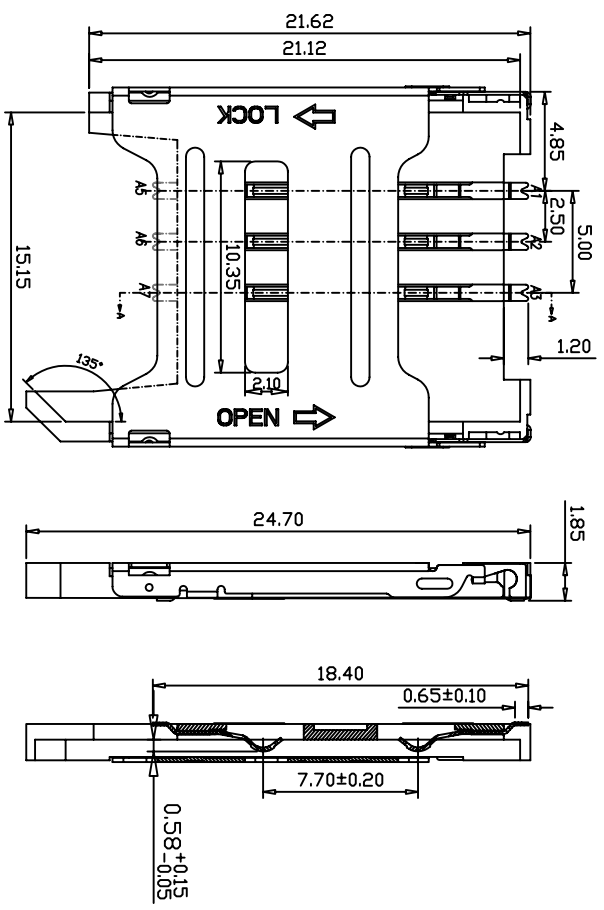


REV. A	DATE 2015/12/16	ECN NO. /	MODIFICATION NEW	APPROVER Vicky
--------	-----------------	-----------	------------------	----------------



PIN NO.	PIN NAME
A1	VCC
A2	RST
A3	CLK
A4	Reserved
A5	GND
A6	VPP
A7	I/O
A8	Reserved

NOTES:

- SPECIFICATIONS**
 INSULATION RESISTANCE: 1000MΩ min. AT DC 500V DC
 WITHSTANDING VOLTAGE: 500V ACrms FOR 1 MINUTE
 CONTACT RESISTANCE: 100m Ohm max.
 CURRENT RATING: 1 A
 VOLTAGE RATING: 250 Volts AC(rms.) Max
 OPERATING TEMP. RANGE: -30°C~+80°C
 MATING CYCLES: 5000 INSERTIONS
- MATERIAL:**
 Housing: LCP,UL 94V-0,COLOR"BLACK"
 TERMINAL: COPPER ALLOY
 SHELL: STAINLESS STEEL
 LATCH: STAINLESS STEEL
- FINISH:**
 TERMINAL:50μ" min NICKEL UNDERPLATED ON ALLOYER,GOLD
 PLATING ON CONTACT ARER, Sn ON SOLDER TAIL.

GENERAL TOLERANCE		UNITS		NAME:		TITLE:		SCALE	
SELECT	✓	mm	MAT'L	PART NO:	SIM CARD	深圳市爱特姆科技有限公司	加耳扣	1:1	SHEET
TOL	1 2 3		FINISH	APPD:	Vicky	SHENZHEN ATOM TECHNOLOGY CO., LTD.	加耳扣	1/1	REV
X.XXX	±0.05 ±0.05 ±0.15		QTY	CHKD:	Doris	ATOM-A02894			A
X.XX	±0.15 ±0.13 ±0.25			DR:	Cmy				
X.X	±0.25 ±0.23 ±0.50								
X.	±0.38 ±1.00								
ANGLE	±1°								