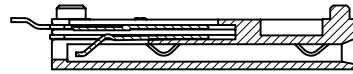
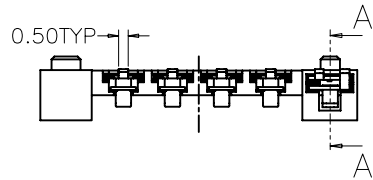


REV.	DATE	ECN.NO	MODIFY.CONTENT

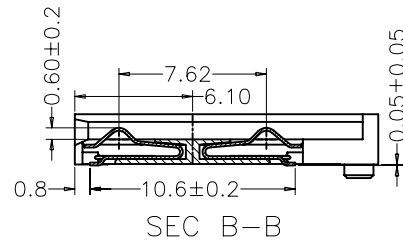
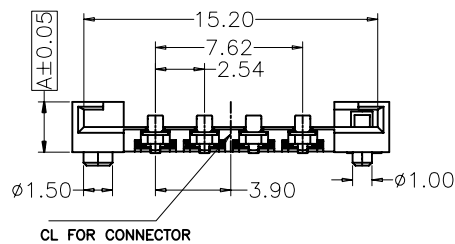
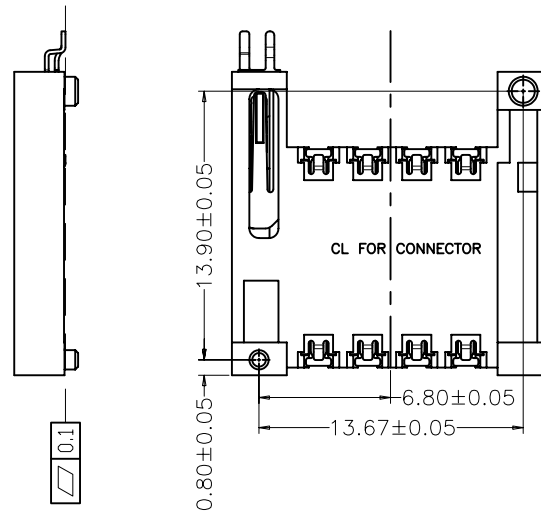
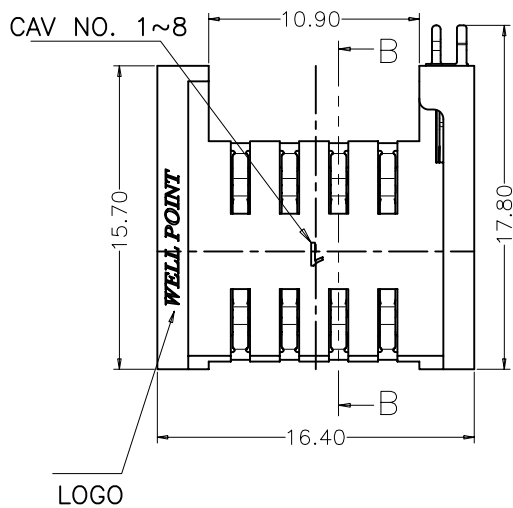


SEC A-A

Notes:
 Material:Phosphor Brozne (C5210R)
 SIMM Card connector,Type 1,8Pin

Physical:
 Housing:LCP UL 94V-0
 Contact:Selective Gold Flash

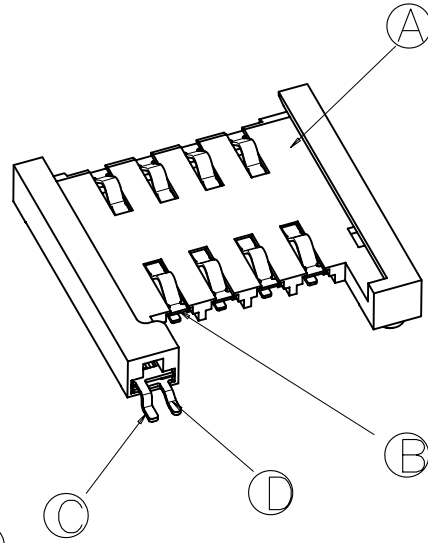
Specifications:
 Voltage Current rating:1A. 50V AC
 Insulation Resistance:100Mohm MIN
 Contact Withstanding Voltage:AC 500V For 1Minute
 Temperteure Rating:-40° To +85°



产品高度A	产品料号
A=2.6mm	SI48C-08200
A=3.1mm	SI51C-08200

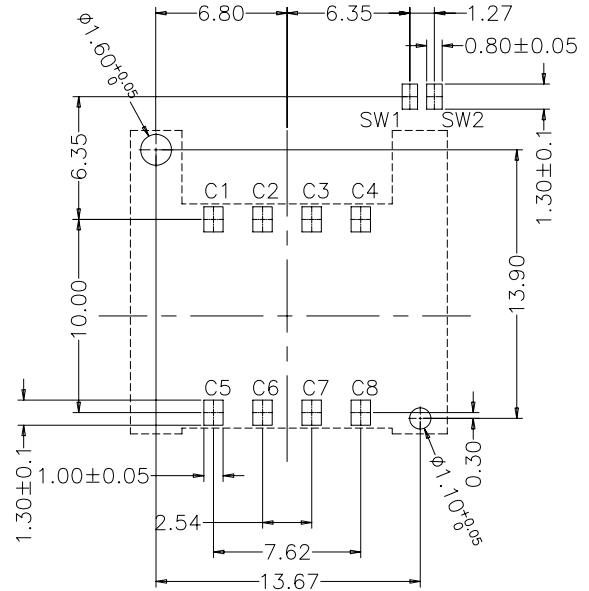
GENERAL TOLERANCE	UNITS	NAME(INTENDED USE)	ATOM® 深圳市爱特姆科技有限公司 SHENZHEN ATOM TECHNOLOGY CO.,LTD.		
SELECT	mm	SIM CARD 8PIN CONNECTOR	TITLE: ASS'Y DRAWING FOR SIM CARD 8PIN CONNECTOR		
ON. TOL.	MAT'L	PART NO.(INTENDED USE)	DWG NO.: ATOM-A02943		
X.XXX	FINISH	SI48C-08200(H=2.6mm) SI51C-08200(H=3.1mm)	SCALE SHEET REV.		
X.XX	Q'TY	APPD:	1:1	1/2	A1
X.X	CHKD:	DR: David			
X.					
ANGLE					

REV.	DATE	ECN.NO	MODIFY.CONTENT

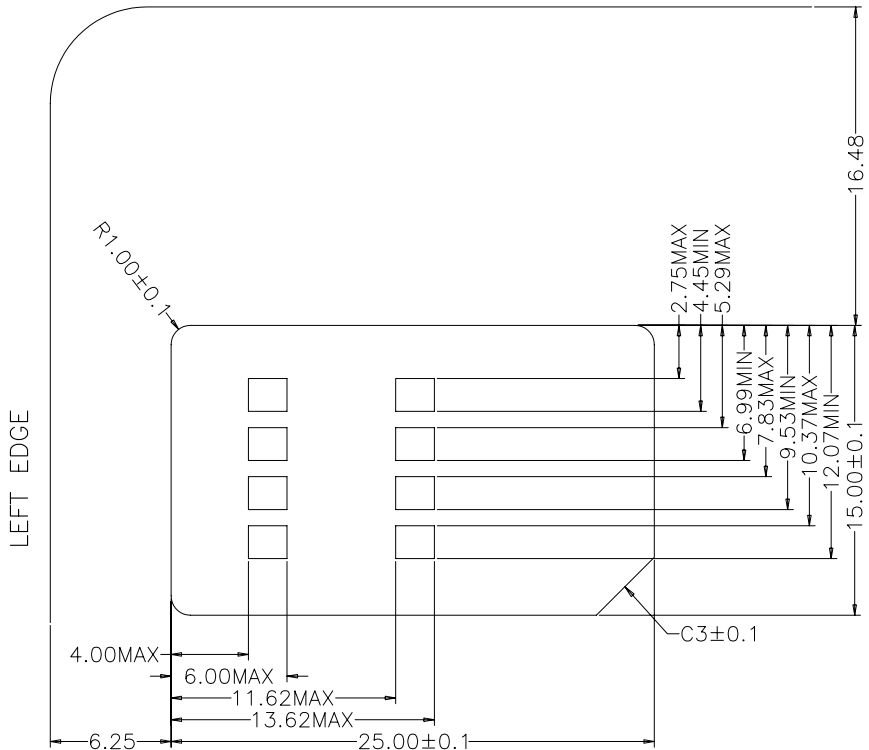


SIM CARD CONTACT LOCATION (GSM11.11)

UPPER EDGE



REFERENCE PCB LAYOUT



THICKNESS 0.76±0.08

Ⓐ	CD TERMINAL B	C5210R	1 PCS	
Ⓒ	CD TERMINAL A	C5210R	1 PCS	
Ⓑ	TREMINAL	C5210R	8 PIN	
Ⓐ	HOUSING	LCP	1 PCS	
ITEM	PART NAME	MATERIAL	Q'TY	REMARK

GENERAL TOLERANCE				UNITS	NAME(INTENDED USE)	
SELECT	✓			mm	SIM CARD 8PIN CONNECTOR	
ON.	TOL	1	2	3	PART NO.(INTENDED USE)	
X.XXX	±0.05	±0.05	±0.15		SI48C-08200(H=2.6mm)	
X.XX	±0.08	±0.13	±0.25		SI51C-08200(H=3.1mm)	
X.X	±0.15	±0.25	±0.50		APPD:	
X.	±0.20	±0.38	±1.00		CHKD:	
ANGLE	±2°				DR: David	

ATOM 深圳市爱特姆科技有限公司
SHENZHEN ATOM TECHNOLOGY CO., LTD.

TITLE:
ASS'Y DRAWING FOR
SIM CARD 8PIN CONNECTOR

DWG NO.:
ATOM-A02943

SCALE	SHEET	REV.
1:1	2/2	A1