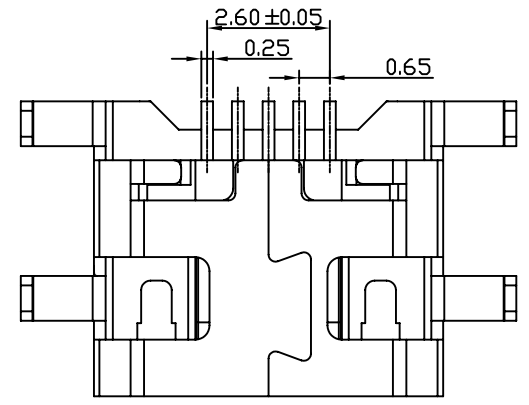
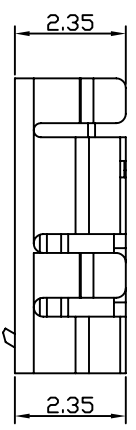
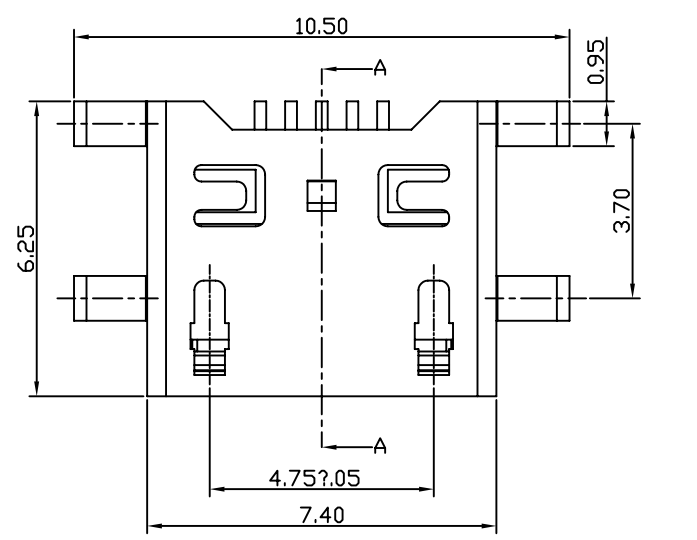
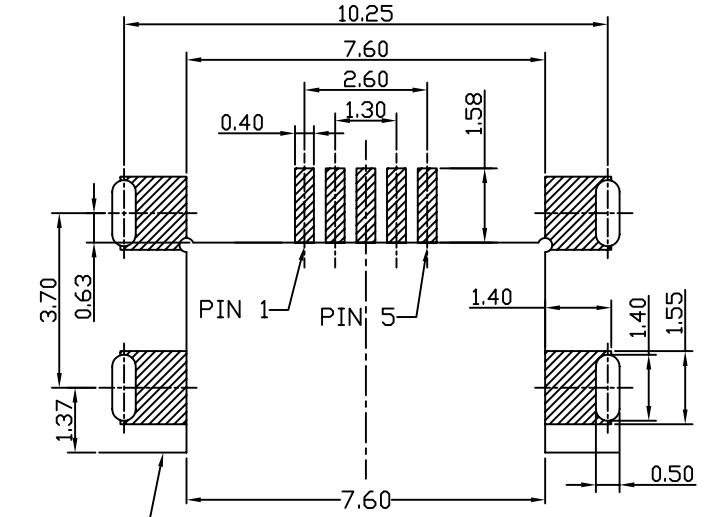
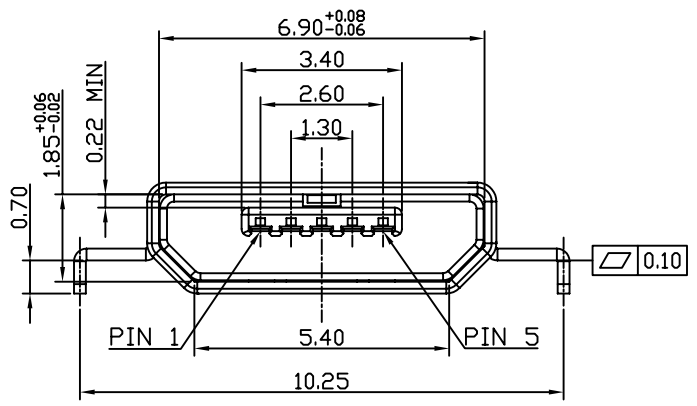


REV.	DATE	ECN NO.	MODIFICATION	APPROVER
A	2013/10/28	/	NEW	Vicky

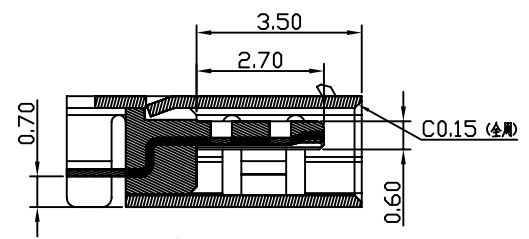


NOTE:

- MATERIAL:
 - Housing: LCP UL94V-0;
 - Terminal: Copper Alloy, Semi Gold and Tin, Au 1U" plated on contact, matte Tin plated 80u";
 - Shell: SUS, Matte Tin plating 100u" on surface;
- MAIN FEATURES:
 - Rating current: 1A;
 - Contact resistance: 50mΩ MAX;
 - Insulation resistance: 100MΩ MIN 100V DC;
 - Withstanding voltage test: 100V AC;
 - solderability: Temperature 235±5°C, time 5±0.5s;
 - Pin retention force: 0.5kgf MIN;
 - Overall insertion force: 3.57kgf MAX
Overall extraction force: 1.00kgf MIN;
 - Life cycle: 5000 cycles
 - Resistance to temperature:
Oven test: Temperature: 250±5°C, time 2 mins;
 - Operating temperature: -30°C~+80°C.



RECOMMENDED PCB LAYOUT
PCB所有尺寸公差: ±0.05



剖视图A-A

GENERAL TOLERANCE			UNITS	mm	NAME:	USB	深圳市爱特姆科技有限公司 SHENZHEN ATOM TECHNOLOGY CO., LTD.				
SELECT	✓		TOL.	1	2	3	MAT'L	PART NO:	TITLE: MICRO USB 5P FEMALE SMT B TYPE		
ON.	1	2						3	沉板0.7 外壳DIP 不带接地片 无翻边		
X.XXX	±0.05	±0.05	±0.15	FINISH	APPD:			DWG NO.			
X.XX	±0.15	±0.13	±0.25		Vicky			ATOM-A01973			
X.X	±0.25	±0.25	±0.50		CHKD:			SCALE			
X.		±0.38	±1.00		Emilia			SHEET			
ANGLE	±1°			Q'TY	DR:			REV			
					Linda			1:1			
								1/1			
								A			