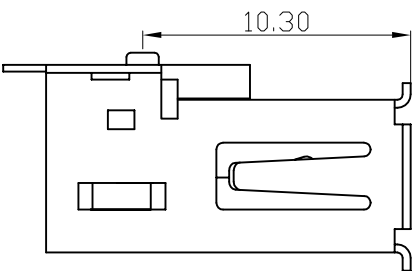
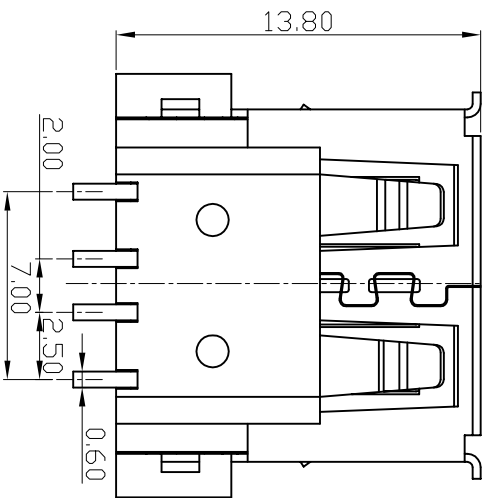
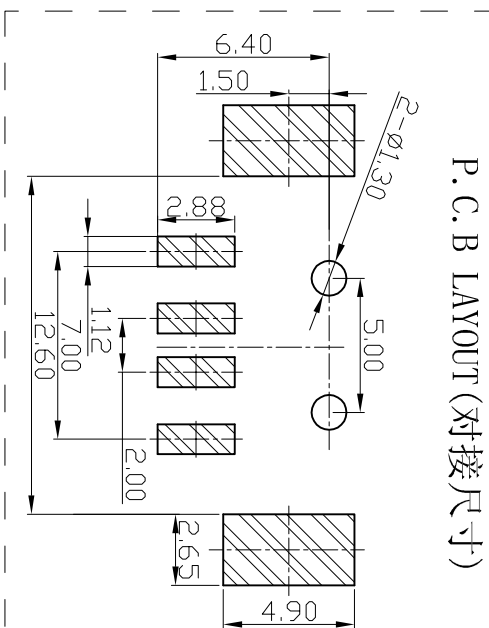
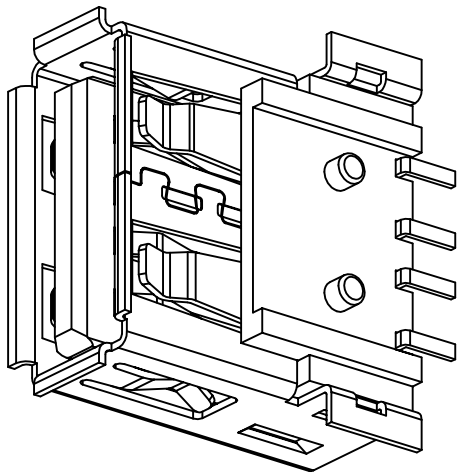
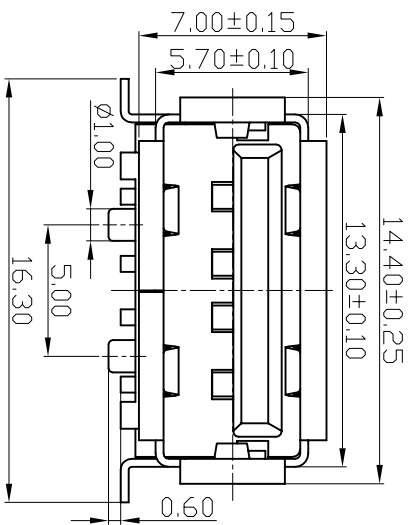


MS-LTIV-AF1T-JY



技术要求

1、ELECTRICAL CHARACTERISTICS (电气性能):

- 1.1 Rating (额定值): DC 0.3A 30V
- 1.2 Contact Resistance (接触电阻): $\leq 100m\Omega$
- 1.3 Insulation Resistance (绝缘电阻): $\geq 100M\Omega$
- 1.4 Actuating Force (插拔力): 0.7~4kg
- 1.5 Withstand Voltage (耐压): AC500V (50Hz)/min
- 1.6 Life (寿命): 5,000 Cycles MIN(大于5,000次)
- 2、ELECTRICAL temperature rang (使用温度范围): -30° C~+70° C

公差对照表

尺寸范围	公差范围
0~10	± 0.1
10~20	± 0.2
20~40	± 0.3
40~60	± 0.5
60~80	± 0.5
80~100	± 1
120~140	± 1.5

序号	名称	数量	材料	材料要求	表面处理/颜色
1	外壳	1	铜	T=0.30mm	表面镀镍
		1	铁		
2	端子	4	黄铜	T=0.25mm	头部镀金 尾部镀锡
3	底座	1	PBT	UL 94-V0	白色
			LCP		

乐清市跃佳电子有限公司

视图	比例	批准	名称
	1:1	设计	AF-90度 全贴
	1:1	审核	型号 YJ-USB-AF1T-5W
			编辑日期 2014.05.13

YUE QING YUE JIA ELECTRONIC COMPONENTS CO LTD 乐清市跃佳电子有限公司		DOCUMENT NUMBER 文件编号	YJ-USB-AF1T-5W
		DATE 日期	2014年07月19日
SPECIFICATION 规格书		PAGE 页数	共 3 页 第 1 页
MODEL NO. 产品名称: AF-90度 全贴			
ORGANIZER 编制		AUDITING 审核	AUTHORIZE 批准
1. RATING (额定值) :DC 0.3A 30V			
2. ELECTRICAL CHARACTERISTICS (电气性能规格):			
	ITEM 项目	TEST CONDITIONS 测试条件	PERFORMANCE 规格
2.1	CONTACT RESISTANCE 接触电阻	MEASURED AT SMALL CURRENT (100 mA OR LESS) 在微小电流 (100mA) 以下测试。	100mΩ MAX 100毫欧以下。
2.2	INSULATION RESISTANCE 绝缘电阻	APPLY A VOLTAGE OF 100V DC FOR 1 MIN, TO FOLLOWING PORTIONS AFTER WHICH MEASUREMENT SHALL BE MADE. (1) BETWEEN BODY AND CONDUCTOR (2) BETWEEN CONDUCTORS NOT TO BE CONTACT. 输入100V DC 电压1分钟, 按以下接触方法测试: (1) 接触端子之间 (2) 胶座与排脚之间	100MΩ MIN 100兆欧以上
2.3	DIELECTRIC STRENGTH 耐电压	AC 500V (50Hz) FOR 1 MIN TRIP CURRENT: 0.5mA (1) BETWEEN TERMINALS. (2) BETWEEN INDIVIDUAL TERMINALS AND FRAME. 输入AC 500V (50Hz) 电压, 1分钟电流为0.5mA, 按以下接 触方式测试 (1) 排脚相互之间 (2) 排脚与外壳之间	WITHOUT DAMAGE TO PARTS ARCING OR BREAKDOWN ETC. 没有绝缘破坏等异常。
3. MECHANICAL CHARACTERISTICS (机械性能规格)			
	ITEM 项目	TEST CONDITIONS 测试条件	PERFORMANCE 规格
3.1	CONNECTION FORCE 插入力度	MEASUREMENT SHALL BE MADE AFIER CONNECTING AND DISCONNECTING USING STANDARD PLUG GAUGE 3 TIMES 依据标准做3次插拔后测定。	(≤4kg)
	DISCONNECTION FORCE 拔出力度	MEASUREMENT SHALL BE MADE AFIER CONNECTING AND DISCONNECTING USING STANDARD PLUG GAUGE 3 TIMES 依据标准做3次插拔后测定。	(≥0.7kg)
3.2	TERMINAL STRENGTH 端子强度	A STATIC LOAD OF (300gf) SHALL BE APPLIED TO THE TIP OF THE TERMINAL FOR 1 MIN IN ANY DIRECTION 在任意一个方向的先端加上 (300gf) 力度测试, 时 间1分钟。	ELECTRICAL CHARACTERISTICS SHALL BE SATISFIED WITHOUT DAMAGE OR EXCESSIVE LOOSENESS OF ACTUATOR 端子没有裂开、松动 等异常, 满足机械、 电性能要求

YUE QING YUE JIA ELECTRONIC COMPONENTS CO LTD 乐清市跃佳电子有限公司		DOCUMENT NUMBER 文件编号	YJ-USB-AF1T-5W
		DATE 日期	2014年07月19日
SPECIFICATION 规格书		PAGE 页数	共 3 页 第 2 页
	ITEM 项目	TEST CONDITIONS 测试条件	PERFORMANCE 规格
3.3	STANDARD ATMOSPHERIC CONDITIONS 测试标准状态	UNLESS OTHERWISE SPECIFIED, THE STANDARD RANGE OF ATMOSPHERIC CONDITIONS FOR MAKING MEASUREMENTS AND TESTS ARE AS FOLLOWS: (1) AMBIENT TEMPERATURE: 5°C TO 35°C (2) RELATIVE HUMIDITY: 45% TO 85% (3) AIR PRESSURE : 80Kpa TO 106Kpa 在没有指定的情况下测试温度、湿度、气压如下: (1) 温度为5°C~35°C (2) 湿度为45%~85% (3) 气压为80Kpa~106Kpa	
4. DURABILITY (耐久性):			
4.1	LIFE TEST 寿命试验	WITHOUT LOAD: CONNECTION AND DISCONNECTION SHALL BE MADE WITH THE MATING PLUGS AND JACKS FOR 5,000 CYCLES AT A SPEED OF 15 TO 18 CYCLES/MIN 无负荷: 将结合标准(尽量接近中心点)在1分钟内以15~18次的速度,进行5,000次的插入拔出。	(1) CONTACT RESISTANCE SHALL BE 200mΩ MAX (2) MECHANICAL AND ELECTRICAL CHARACTERISTICS SHALL BE SATISFIED. (1) 接触电阻不能超过200mΩ (2) 其它因满足机械、电性能要求
4.2	HEAT TEST 耐热试验	THE SWITCH SHALL BE STORED AT A TEMPERATURE OF 85±2°C FOR 96 HOURS . AND THEN IT SHALL BE SUBJECTED TO THE CONTROLLED RECOVERY CONDITIONS FOR 1 HOUR AFTER WHICH MEASUREMENT SHALL BE MADE. 放置在温度85°C中测试96小时后,再放置正常室温中1小时后测定	THERE SHALL BE NO DAMAGE ON APPEARANCE. MECHANICAL AND ELECTRICAL CHARACTERISTICS SHALL BE SATISFIED. 外观无异常,满足机械、电性能要求
4.3	COLD TEST 耐冷试验	THE SWITCH SHALL BE STORED AT A TEMPERATURE OF -25±3°C FOR 96 HOURS . AND THEN IT SHALL BE SUBJECTED TO THE CONTROLLED RECOVER CONDITIONS FOR 1 HOURS AFTER WHICH MEASUREMENT SHALL BE MADE. 放置在温度-25±3°C中96小时,再放置常温中1小时后测定。	THERE SHALL BE NO DEFORMATION OR CRACKS IN MOLDED PART. 外观无异常,满足机械、电性能要求
4.4	HOMIDITY TEST 潮湿试验	THE SWITCH SHALL BE STORED AT A TEMPERATURE OF 40±2°C AND A HUMIFITY OF 90% TO 96% FOR 96 HOURS . THEN THE SWITCH SHALL BE MAINTAINED AT STANDARD ATMOSPHERIC CONDITION FOR 1 HR FOR OTHER PROCEDURES BE MADE. 放置40±2°C相对湿度为90~96%环境中96小时后,再放置常温中1小时后测定。	

YUE QING YUE JIA ELECTRONIC COMPONENTS CO LTD 乐清市跃佳电子有限公司		DOCUMENT NUMBER 文件编号	YJ-USB-AF1T-5W
		DATE 日期	2014年07月19日
SPECIFICATION 规格书		PAGE 页数	共 3 页 第 3 页
ITEM 项目	TEST CONDITIONS 测试条件	PERFORMANCE 规格	
4.5	<p>SOLDERING CONDITIONS 焊锡条件</p> <p>HAND SOLDERING: (1) DEVICE: SOLDER IRON A. 350°C MAX . 3SEC MAX B. 270°C MAX . 5SEC MAX (2) REFLOW SOLDERING 手焊 (1) 工具: 烙铁 A. 350°C MAX . 3SEC MAX B. 270°C MAX . 5SEC MAX (2) 回流焊</p>	<p>THERE SHALL BE NO DEFORMATION OR CRACKS IN MOLDED PART. 外观无异常, 满足机械、电性能要求</p>	
4.6	<p>SOLDERABILITY TEST 可焊性试验</p> <p>THE TOP OF THE TERMINALS SHALL BE DIPPED 2mm IN THE SOLDER BATH OF 230±5°C FOR 3±0.5 SECONDS. 端子顶部被浸入锡池中2mm深, 温度为230±5°C 时间为3±0.5秒</p>	<p>THE AREA OF SOLDERING SHOULD BE OVER 75% 焊接面积要有75%以上</p>	
4.7	<p>RESISTANCE TO SOLDERING HEAT TEST 耐焊性试验</p> <p>SOLDER BATH METHOD: SOLDER TEMPERATURE 260±5°C IMMERSION TIME 3±0.5 SEC IMMERSION DEPTH UP TO THE SURFACE OF THE BOARD THICKNESS OF PRINTED WIRING BOARD 1.6mm DIMENSIONS OF COMPONENT HOLES IN THE PRINTED WIRING BOARD SHALL BEING ACCORDANCE WITH THOSE SPECIFIED IN THIS SPECIFICATION 焊炉焊接的时候温度控制在260±5°C, 浸入时间3±0.5秒, 于(基板)厚度为1.6mm下, 线路板正常</p>	<p>WITHOUT DEFORMATION OF CASE OR EXCESSIVE LOOSENESS OF TERMINALS ELECTRICAL CHARACTERISTICS SHALL BE SATISFIED. 本体无变形, 能满足机械、电器性能</p>	
4.8	<p>RESISTANCE SALT SPRAY TEST 耐盐雾性试验</p> <p>CONNECTOR AT THE CONCENTRATION OF 5 ± 1% OF THE SALT WATER, AMBIENT TEMPERATURE: 35±2°C, SPRAY 12 HOURS AFTER REMOVAL, CLEAN WATER, DRIED MEET. 连接器放置在浓度为5±1%的盐水中, 温度为35±2°C的试验箱内, 喷雾12小时后取出, 用水清洗, 晾干满足</p>	<p>IN THE ABSENCE OF METAL CORROSION, COATING REVIEW AREA OF MORE THAN 80 PERCENT 外观 基体金属无锈蚀, 镀层覆面占80%以上:</p>	