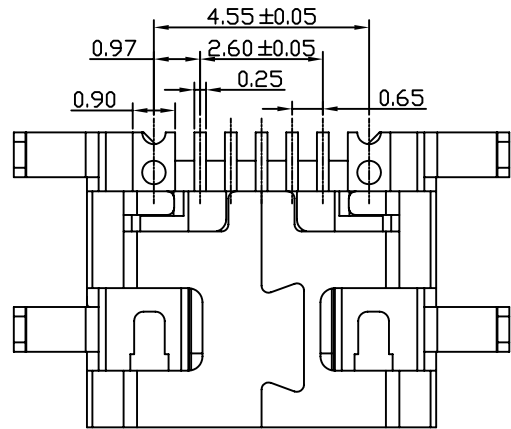
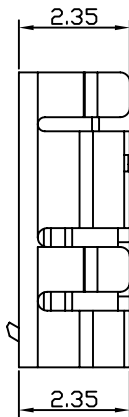
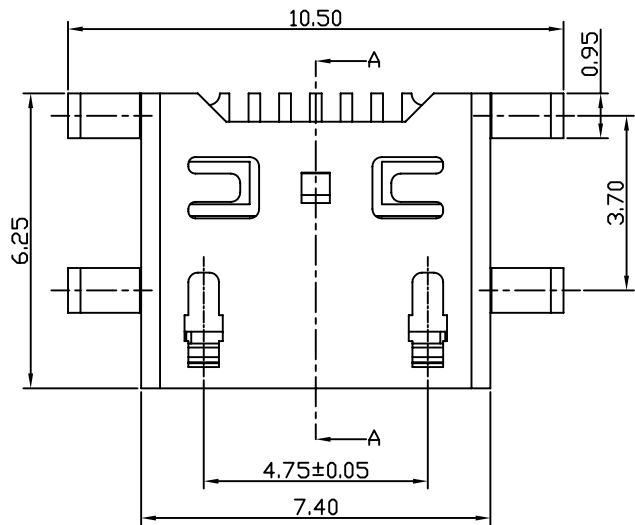
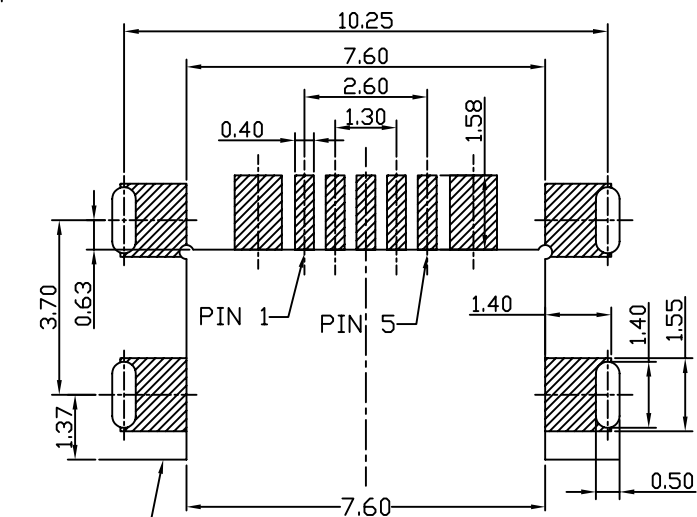
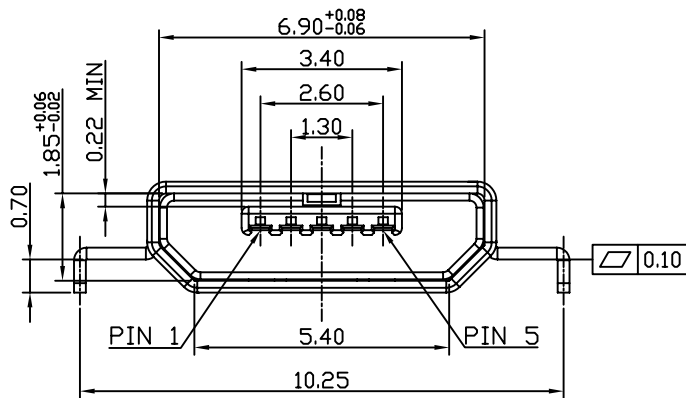


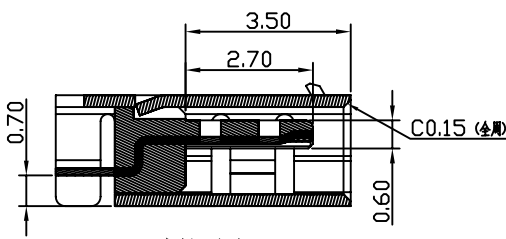
REV.	DATE	ECN NO.	MODIFICATION	APPROVER
A	2013/10/28	/	NEW	Vicky



- NOTE:
- MATERIAL:
 - Housing: LCP UL94V-0;
 - Terminal: Copper Alloy, Semi Gold and Tin, Au 1U" plated on contact, matte Tin plated 80u";
 - Shell: SUS, Matte Tin plating 100u" on surface;
 - MAIN FEATURES:
 - Rating current: 1A;
 - Contact resistance: 50mΩ MAX;
 - Insulation resistance: 100MΩ MIN 100V DC;
 - Withstanding voltage test: 100V AC;
 - solderability: Temperature 235±5℃, time 5±0.5s;
 - Pin retention force: 0.5kgf MIN;
 - Overall insertion force: 3.57kgf MAX
 - Overall extraction force: 1.00kgf MIN;
 - Life cycle: 5000 cycles
 - Resistance to temperature:
 - Oven test: Temperature: 250±5℃, time 2 mins;
 - Operating temperature: -30℃~+80℃.



RECOMMENDED PCB LAYOUT
PCB所有尺寸公差: ±0.05



剖视图A-A

GENERAL TOLERANCE			UNITS	NAME:	USB	深圳市爱特姆科技有限公司 SHENZHEN ATOM TECHNOLOGY CO., LTD.
SELECT	✓		mm	PART NO:	USB205FB-C1026202	
ON.	1	2		MAT'L		DWG NO.
TOL.	1	2	3	FINISH	APPD: Vicky	ATOM-A01852
X.XXX	±0.05	±0.05	±0.15	Q'TY	CHKD: Emilia	SCALE 1:1 SHEET 1/1 REV A
X.XX	±0.15	±0.13	±0.25	DR: Linda		
X.X	±0.25	±0.25	±0.50			
X.		±0.38	±1.00			
ANGLE	±1°					